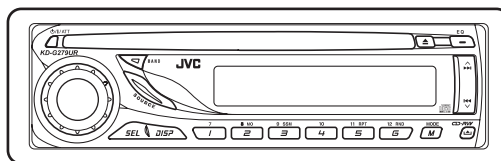
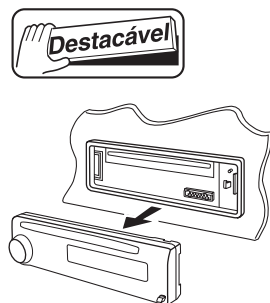


JVC

SERVICE MANUAL

CD RECEIVER

KD-G279UR



CD-RW

COMPACT
disc
DIGITAL AUDIO



Lead free solder used in the board (material : Sn-Ag-Cu, melting point : 219 Centigrade)

TABLE OF CONTENTS

1	PRECAUTIONS	1-3
2	SPECIFIC SERVICE INSTRUCTIONS	1-6
3	DISASSEMBLY	1-7
4	ADJUSTMENT	1-10
5	TROUBLESHOOTING	1-11

SPECIFICATION

AUDIO AMPLIFIER SECTION

Power Output	17 W RMS × 4 Channels at 4 Ω and [\leq] 1% THD+N	
Signal to Noise Ratio	80 dBA (reference: 1 W into 4 Ω)	
Load Impedance	4 Ω (4 Ω to 8 Ω allowance)	
Tone Control Range	Bass	±10 dB at 100 Hz
	Treble	±10 dB at 10 kHz
Frequency Response	40 Hz to 20 000 Hz	
Line-Out Level/Impedance	2.5 V/20 kΩ load (full scale)	
Output Impedance	1 kΩ	

TUNER SECTION

Frequency Range	FM	87.5 MHz to 107.9 MHz (with channel interval set to 100 kHz or 200 kHz) 87.5 MHz to 108.0 MHz (with channel interval set to 50 kHz)
	AM	530 kHz to 1 710 kHz (with channel interval set to 10 kHz) 531 kHz to 1 602 kHz (with channel interval set to 9 kHz)
FM Tuner	Usable Sensitivity	11.3 dBf (1.0 μV/75 Ω)
	50 dB Quieting Sensitivity	16.3 dBf (1.8 μV/75 Ω)
	Alternate Channel Selectivity (400 kHz)	65 dB
	Frequency Response	40 Hz to 15 000 Hz
	Stereo Separation	35 dB
	Capture Ratio	1.5 dB
AM Tuner	Sensitivity	20 μV
	Selectivity	35 dB

CD PLAYER SECTION

Type	Compact disc player
Signal Detection System	Non-contact optical pickup (semiconductor laser)
Number of channels	2 channels (stereo)
Frequency Response	5 Hz to 20 000 Hz
Dynamic Range	96 dB
Signal-to-Noise Ratio	98 dB
Wow and Flutter	Less than measurable limit
MP3 Decoding Format	MPEG1/2 Audio Layer 3 Max. Bit Rate: 320 kbps
WMA (Windows Media® Audio) Decoding Format	Max. Bit Rate: 192 kbps


GENERAL


Power Requirement	Operating Voltage	DC 14.4 V (11 V to 16 V allowance)
Grounding System		Negative ground
Allowable Operating Temperature		0°C to +40°C
Dimensions (W × H × D)	Installation Size (approx.)	182 mm × 52 mm × 150 mm
	Panel Size (approx.)	188 mm × 58 mm × 11 mm
Mass (approx.)		1.2 kg (excluding accessories)

Design and specifications are subject to change without notice.

SECTION 1 PRECAUTIONS

1.1 Safety Precautions

 **CAUTION** Burrs formed during molding may be left over on some parts of the chassis. Therefore, pay attention to such burrs in the case of performing repair of this system.

 **CAUTION** Please use enough caution not to see the beam directly or touch it in case of an adjustment or operation check.

1.2 Preventing static electricity

Electrostatic discharge (ESD), which occurs when static electricity stored in the body, fabric, etc. is discharged, can destroy the laser diode in the traverse unit (optical pickup). Take care to prevent this when performing repairs.

1.2.1 Grounding to prevent damage by static electricity

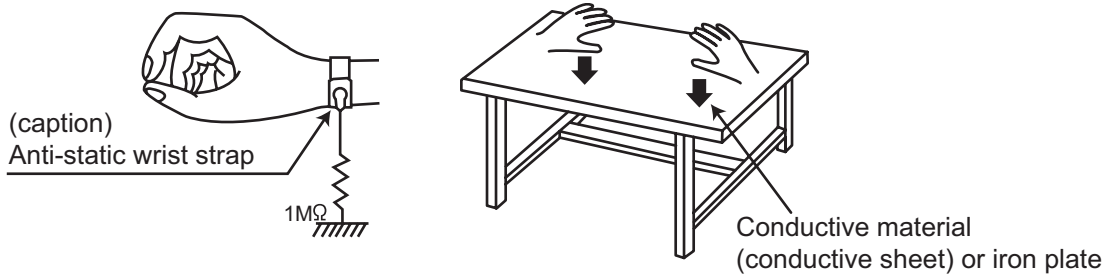
Static electricity in the work area can destroy the optical pickup (laser diode) in devices such as CD players. Be careful to use proper grounding in the area where repairs are being performed.

(1) Ground the workbench

Ground the workbench by laying conductive material (such as a conductive sheet) or an iron plate over it before placing the traverse unit (optical pickup) on it.

(2) Ground yourself

Use an anti-static wrist strap to release any static electricity built up in your body.



(3) Handling the optical pickup

- In order to maintain quality during transport and before installation, both sides of the laser diode on the replacement optical pickup are shorted. After replacement, return the shorted parts to their original condition. (Refer to the text.)
- Do not use a tester to check the condition of the laser diode in the optical pickup. The tester's internal power source can easily destroy the laser diode.

1.3 Handling the traverse unit (optical pickup)

(1) Do not subject the traverse unit (optical pickup) to strong shocks, as it is a sensitive, complex unit.

(2) Cut off the shorted part of the flexible cable using nippers, etc. after replacing the optical pickup. For specific details, refer to the replacement procedure in the text. Remove the anti-static pin when replacing the traverse unit. Be careful not to take too long a time when attaching it to the connector.

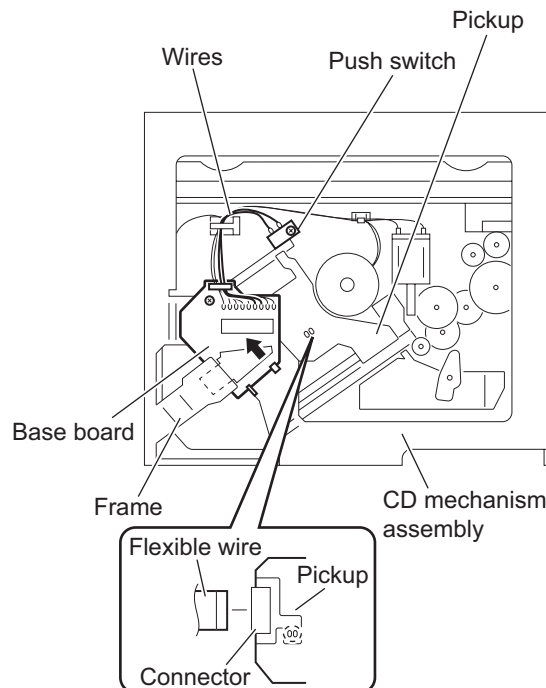
(3) Handle the flexible cable carefully as it may break when subjected to strong force.

(4) It is not possible to adjust the semi-fixed resistor that adjusts the laser power. Do not turn it.

1.4 Attention when traverse unit is decomposed

***Please refer to "Disassembly method" in the text for the CD pickup unit.**

- Apply solder to the short land before the flexible wire is disconnected from the connector on the CD pickup unit. (If the flexible wire is disconnected without applying solder, the CD pickup may be destroyed by static electricity.)
- In the assembly, be sure to remove solder from the short land after connecting the flexible wire.



1.5 Important for laser products

1.CLASS 1 LASER PRODUCT


2.DANGER : Invisible laser radiation when open and interlock failed or defeated. Avoid direct exposure to beam.

3.CAUTION : There are no serviceable parts inside the Laser Unit. Do not disassemble the Laser Unit. Replace the complete Laser Unit if it malfunctions.

4.CAUTION : The CD,MD and DVD player uses invisible laser radiation and is equipped with safety switches which prevent emission of radiation when the drawer is open and the safety interlocks have failed or are defeated. It is dangerous to defeat the safety switches.

5.CAUTION : If safety switches malfunction, the laser is able to function.

6.CAUTION : Use of controls, adjustments or performance of procedures other than those specified here in may result in hazardous radiation exposure.

	<p>CAUTION Please use enough caution not to see the beam directly or touch it in case of an adjustment or operation check.</p>
---	---

CAUTION : Visible and invisible laser radiation when open and interlock failed or defeated.
AVOID DIRECT EXPOSURE TO BEAM.

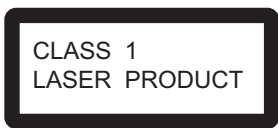
ADVARSEL : Synlig og usynlig laserstråling når maskinen er åben eller interlocken fejler. Undgå direkte eksponering til stråling.

VARNING : Synlig och osynlig laserstråling när den öppnas och spärren är urkopplad. Betrakta ej strålen.

VARO : Avattaessa ja suojalukitus ohitettuna tai viallisena olet alltiina näkyvälle ja näkymättömälle lasersäteilylle. Vältä säteen kohdistumista suoraan itseesi.

REPRODUCTION AND POSITION OF LABELS

WARNING LABEL



<p>CAUTION : Visible and invisible laser radiation when open and interlock failed or defeated. AVOID DIRECT EXPOSURE TO BEAM. (e)</p>	<p>ADVARSEL : Synlig og usynlig laserstråling når maskinen er åben eller interlocken fejler. Undgå direkte eksponering til stråling. (d)</p>	<p>VARNING : Synlig och osynlig laserstråling när den öppnas och spärren är urkopplad. Betrakta ej strålen. (s)</p>	<p>VARO : Avattaessa ja suojalukitus ohitettuna tai viallisena olet alltiina näkyvälle ja näkymättömälle lasersäteilylle. Vältä säteen kohdistumista suoraan itseesi. (f)</p>
--	---	--	--

SECTION 2
SPECIFIC SERVICE INSTRUCTIONS

This service manual does not describe SPECIFIC SERVICE INSTRUCTIONS.

SECTION 3 DISASSEMBLY

3.1 Main body section

3.1.1 Removing the front panel assembly (See Fig.11)

- (1) Push the detach button in the lower right part of the front panel assembly and remove the front panel assembly.

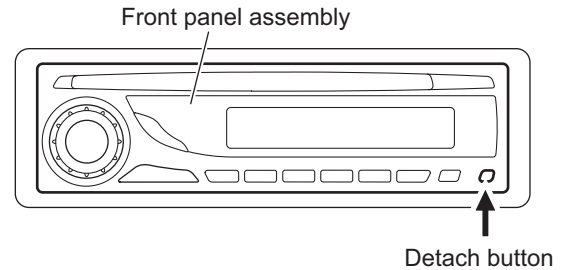


Fig.1

3.1.2 Removing the bottom cover (See Fig.2)

- (1) Turn the main body up side down.
- (2) Insert a screwdriver under the joints to release the two joints **a** on the left side, two joints **b** on the right side and joint **c** on the back side of the main body, then remove the bottom cover from the main body.

Note:

When releasing the joints using a screwdriver, do not damage the main board.

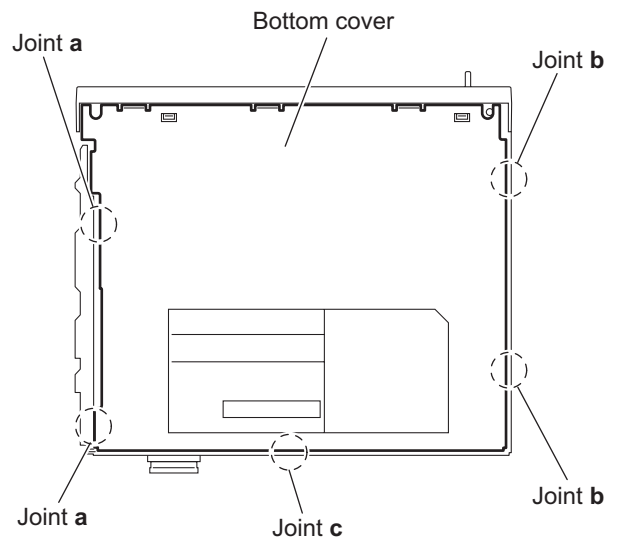


Fig.2

3.1.3 Removing the front chassis assembly (See Fig.3)

- Remove the front panel assembly and bottom cover.
- (1) Remove the two screws **A** on the both sides of the main body.
 - (2) Release the joint **d** and joint **e** on the both sides of the main body, then remove the front chassis assembly toward the front.

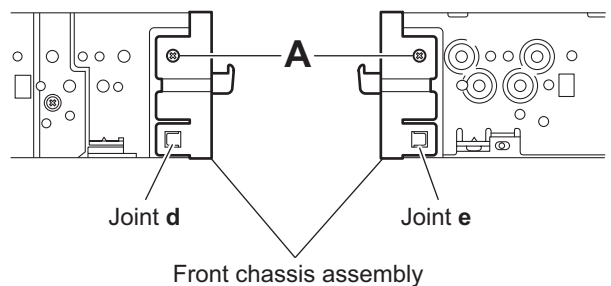


Fig.3

3.1.4 Removing the side panel (See Fig.4)

Reference:

Remove the front panel assembly as required.

- (1) Remove the screw **B** and two screws **C** attaching the side panel on the left side of the main body.
- (2) Remove the side panel from the main body.

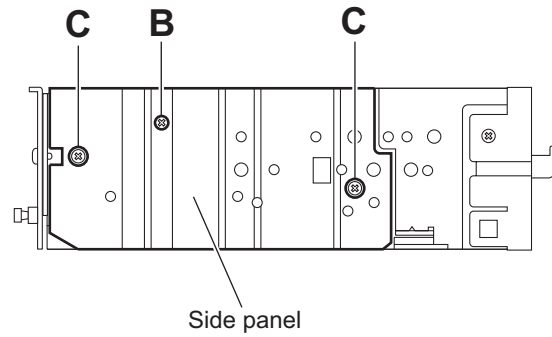


Fig.4

3.1.5 Removing the rear bracket (See Fig.5)

- Remove the bottom cover.

- (1) Remove the three screws **D**, three screws **E** and two screws **F** attaching the rear bracket on the back side of the main body.
- (2) Remove the rear bracket.

3.1.6 Removing the main board (See Figs.5 and 6)

- Remove the front panel assembly, bottom cover and side panel.

Reference:

Remove the front chassis assembly as required.

- (1) Remove the three screws **D** attaching the rear bracket on the back side of the main body. (See Fig.5.)
- (2) Remove the two screws **G** attaching the main board. (See Fig.6.)
- (3) Disconnect the connector [CN501](#) on the main board from the main body and take out the main board with the rear bracket. (See Fig.6.)

Reference:

Remove the rear bracket from the main body as required. (See "3.1.5 Removing the rear bracket".)

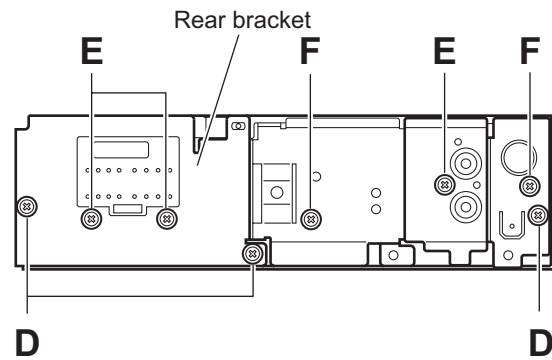


Fig.5

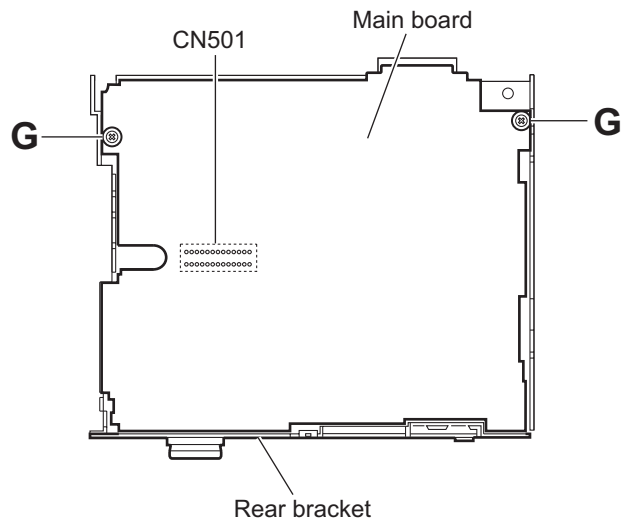


Fig.6

3.1.7 Removing the CD mechanism assembly (See Fig. 7)

- Remove the front panel assembly, bottom cover, side panel, rear bracket and main board.

Reference:

Remove the front chassis assembly as required.

- Remove the three screws **H** attaching the CD mechanism assembly on the top chassis.
- Take out the CD mechanism assembly.

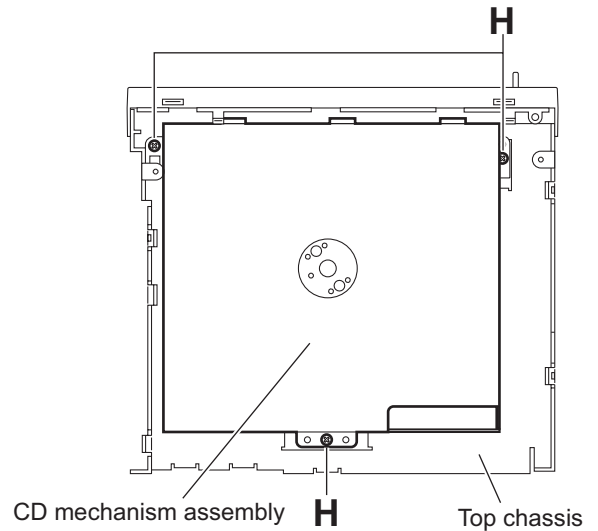


Fig.7

3.1.8 Removing the switch board (See Figs.8 to 10)

- Remove the front panel assembly.
 - Remove the four screws **J** on the back side of the front panel assembly. (See Fig.8.)
 - Release the joints **f** and remove the rear cover. (See Fig.9.)
 - Release the joint **g** and take out the switch board from the front panel assembly. (See Fig.10.)

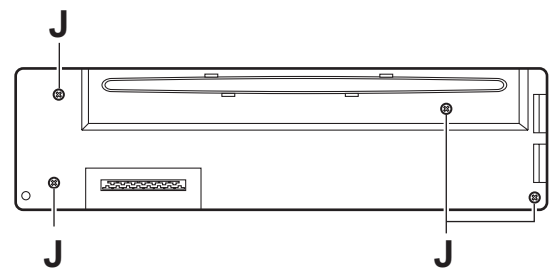


Fig.8

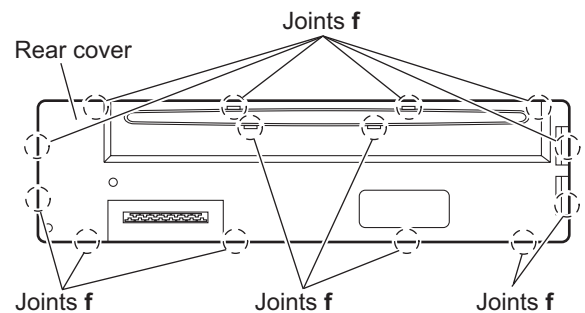


Fig.9

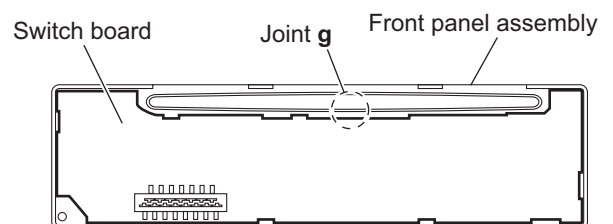


Fig.10

3.2 CD mechanism assembly

For CD mechanism, please refer mechanism annual No. MY005.

SECTION 4 ADJUSTMENT

4.1 Adjustment method

■ Test instruments required for adjustment

- (1) Digital oscilloscope (100MHz)
- (2) Electric voltmeter
- (3) Digital tester
- (4) Tracking offset meter
- (5) Test Disc JVC :CTS-1000
- (6) Extension cable for check
EXTSH002-22P × 1

■ Standard volume position

Balance and Bass & Treble volume : Indication "0"
Loudness : OFF

■ How to connect the extension cable for adjusting

Caution:

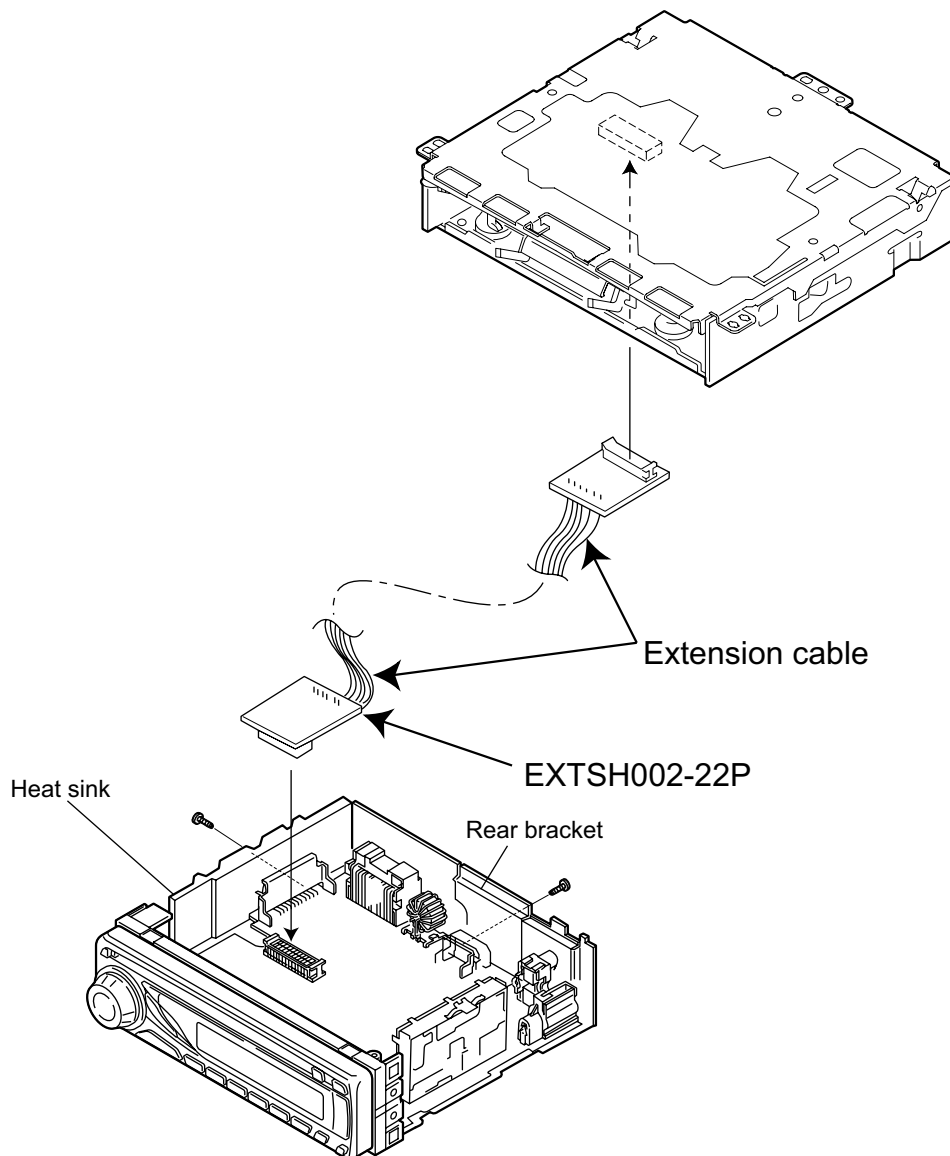
Be sure to attach the heat sink and rear bracket onto the power amplifier IC and regulator IC respectively, before supply the power. If voltage is applied without attaching these parts, the power amplifier IC and regulator IC will be destroyed by heat.

■ Standard measuring conditions

Power supply voltage	DC14.4V(10.5 to 16V)
Load impedance	20K Ω (2 Speakers connection)
Output Level	Line out 2.0V (Vol. MAX)

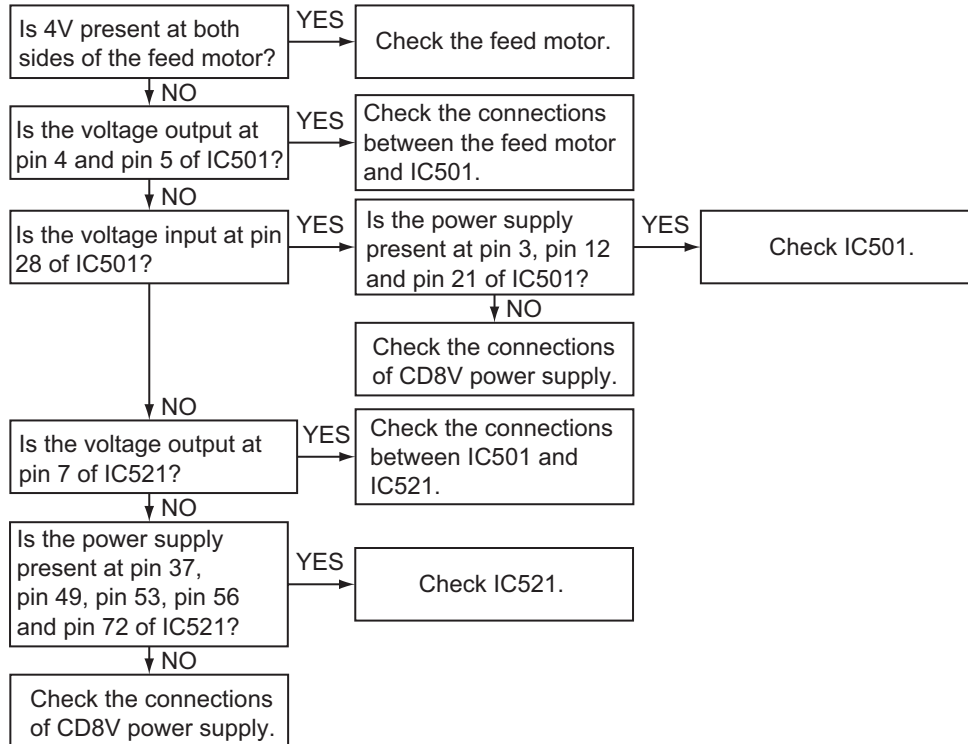
■ Dummy load

Exclusive dummy load should be used for AM, and FM. For FM dummy load, there is a loss of 6dB between SSG output and antenna input. The loss of 6dB need not be considered since direct reading of figures are applied in this working standard.

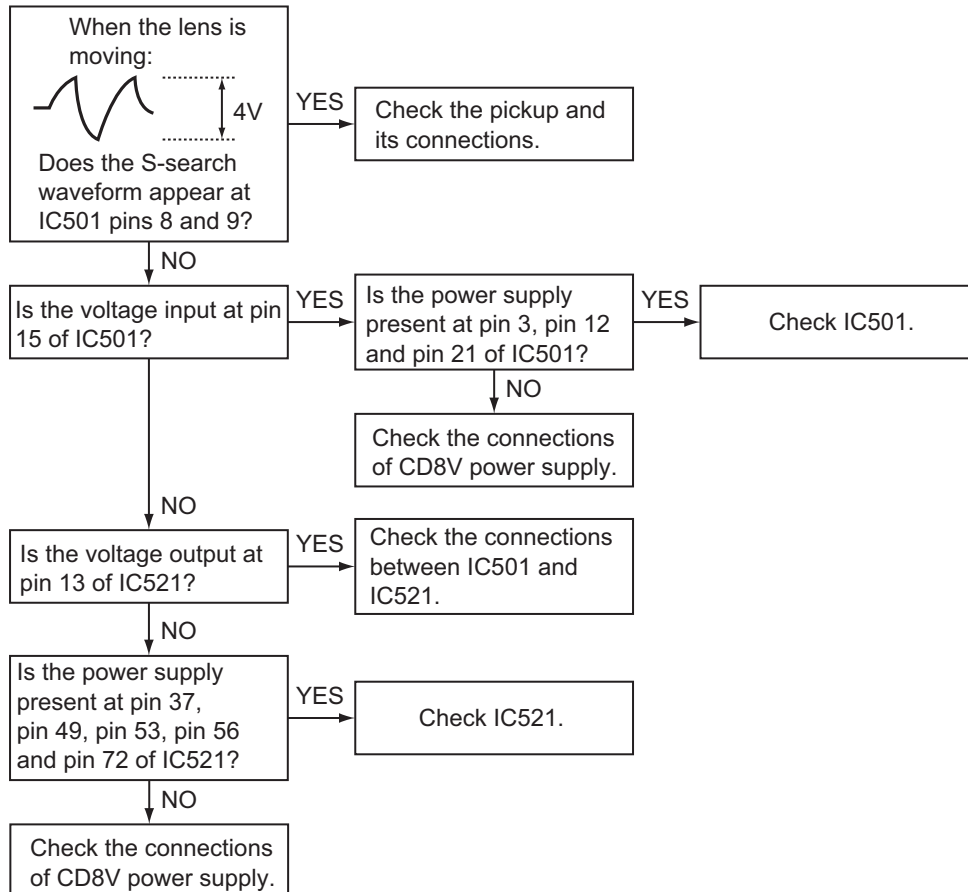


SECTION 5 TROUBLESHOOTING

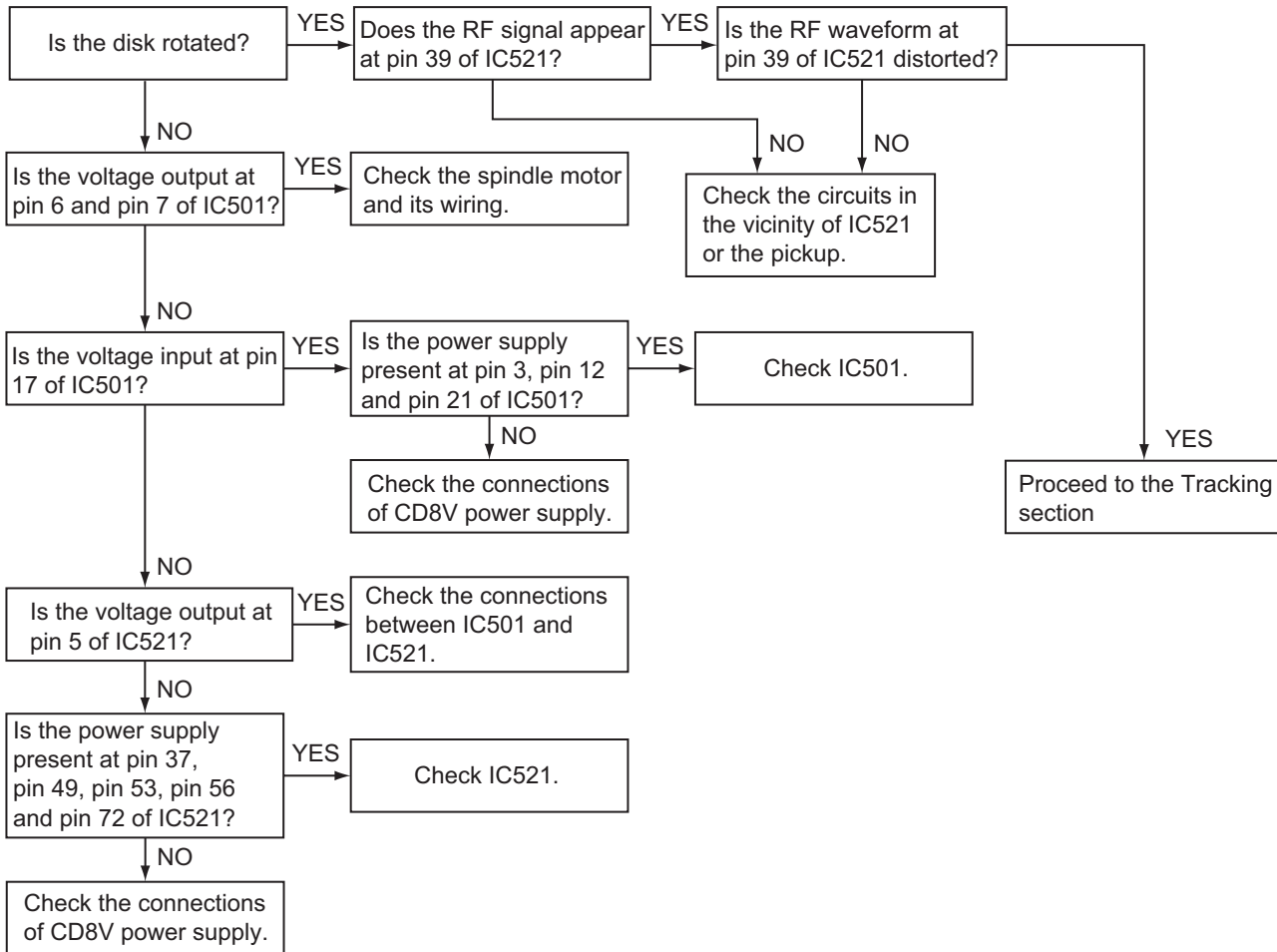
5.1 Feed section



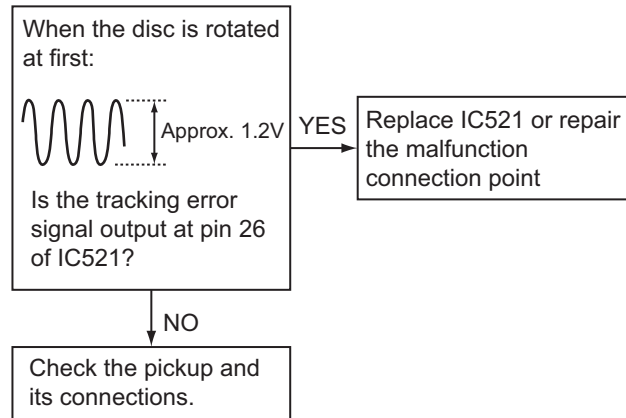
5.2 Focus section



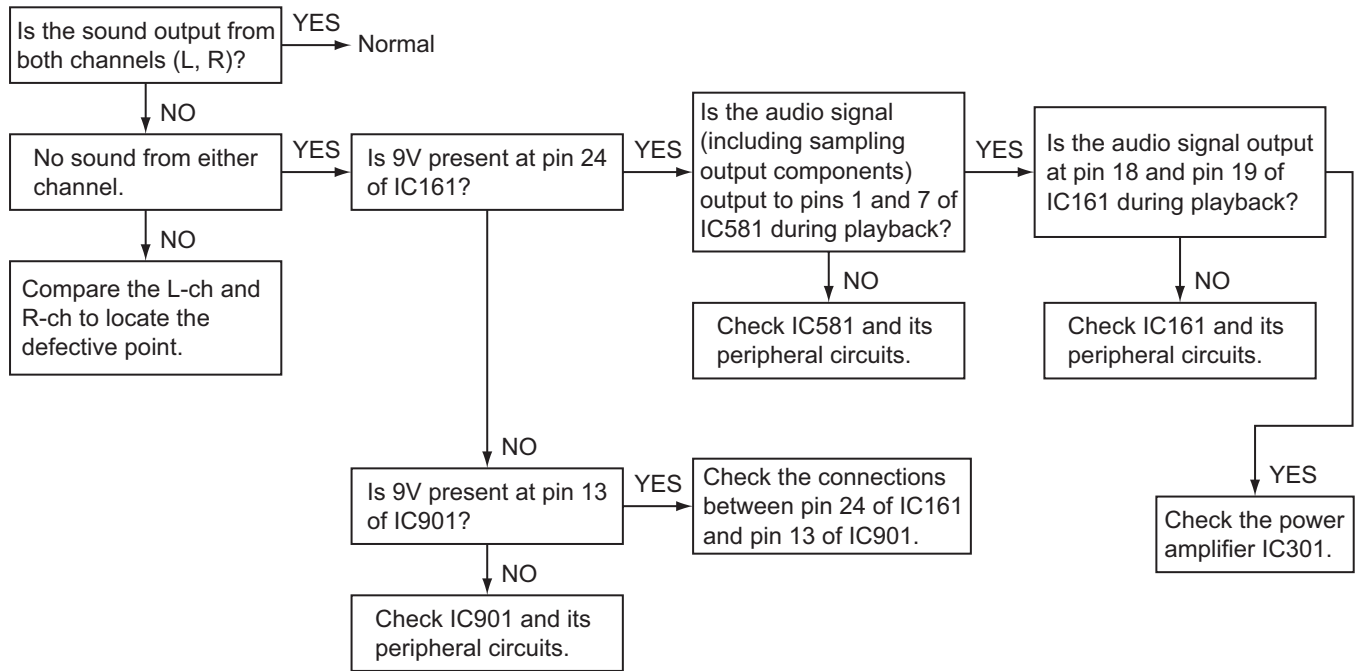
5.3 Spindle section



5.4 Tracking section

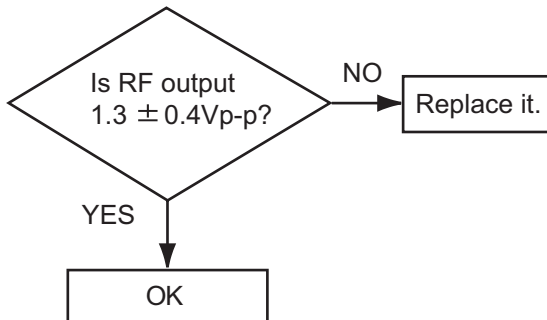


5.5 Signal processing section



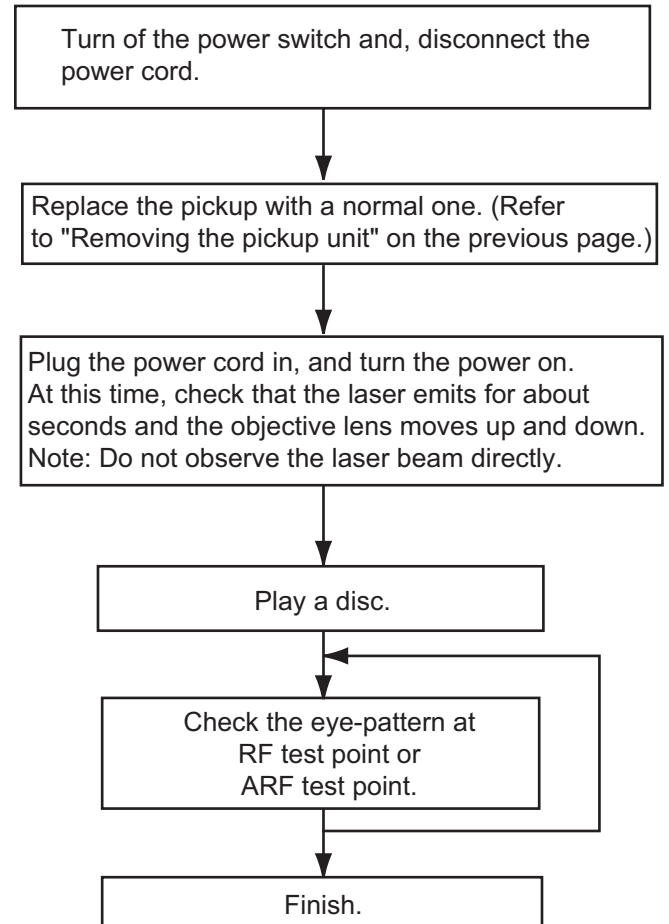
5.6 Maintenance of laser pickup

- (1) Cleaning the pick up lens
Before you replace the pick up, please try to clean the lens with a alcohol soaked cotton swab.
- (2) Life of the laser diode
When the life of the laser diode has expired, the following symptoms will appear.
 - The level of RF output (EFM output: amplitude of eye pattern) will be low.

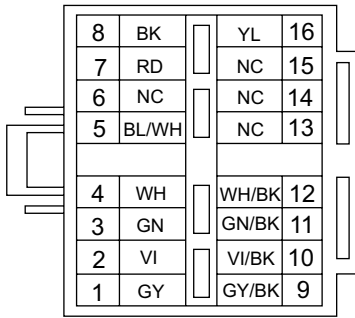


- (3) Semi-fixed resistor on the APC PC board
The semi-fixed resistor on the APC printed circuit board which is attached to the pickup is used to adjust the laser power. Since this adjustment should be performed to match the characteristics of the whole optical block, do not touch the semi-fixed resistor.
If the laser power is lower than the specified value, the laser diode is almost worn out, and the laser pickup should be replaced. If the semi-fixed resistor is adjusted while the pickup is functioning normally, the laser pickup may be damaged due to excessive current.

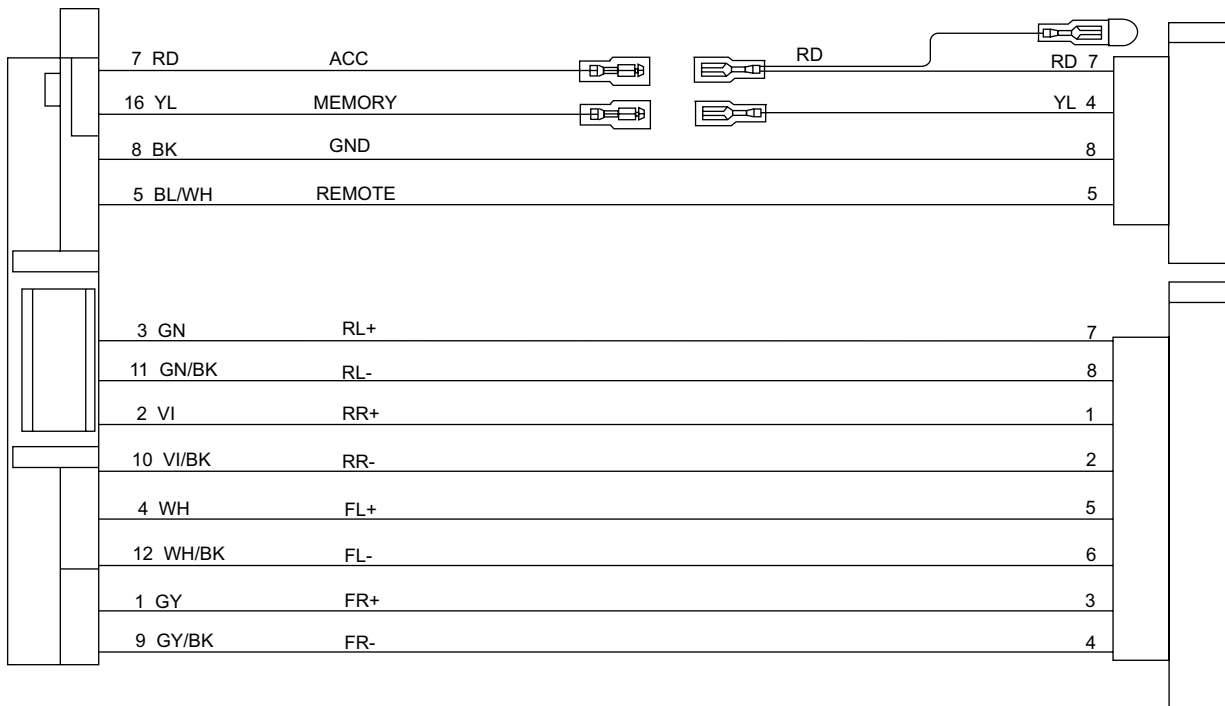
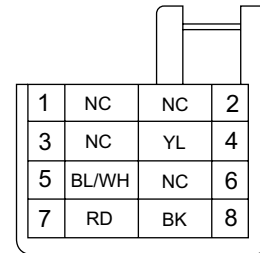
5.7 Replacement of laser pickup



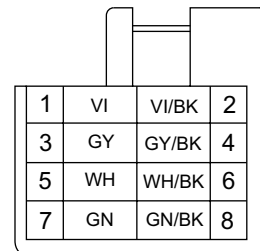
5.8 16 PIN CORD DIAGRAM



BK	Black	GN	Green
RD	Red	VI	Violet
BL	Blue	GY	Gray
WH	White	YL	Yellow



RR	Rear Right	REMOTE	Remote out
FR	Front Right	ACC	ACC Line
FL	Front Left	MEMORY	Memory Backup Battery+
RL	Rear Left	GND	Ground





JVC

Victor Company of Japan, Limited
Mobile Entertainment Business Group Mobile Entertainment Category 10-1,1chome,Ohwatari-machi,Maebashi-city,371-8543,Japan

(No.MA266)

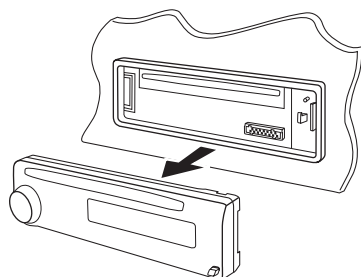
JVC

SCHEMATIC DIAGRAMS

CD RECEIVER

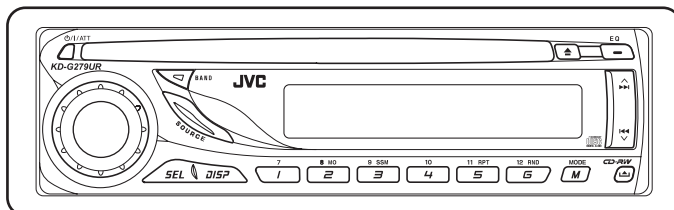
KD-G279UR

CD-ROM No.SML200604



CD-RW

**COMPACT
disc
DIGITAL AUDIO**



Lead free solder used in the board (material : Sn-Ag-Cu, melting point : 219 Centigrade)

Contents

Block diagram	2-1
Standard schematic diagrams	2-2
Printed circuit boards	2-6 to 7

Safety precaution

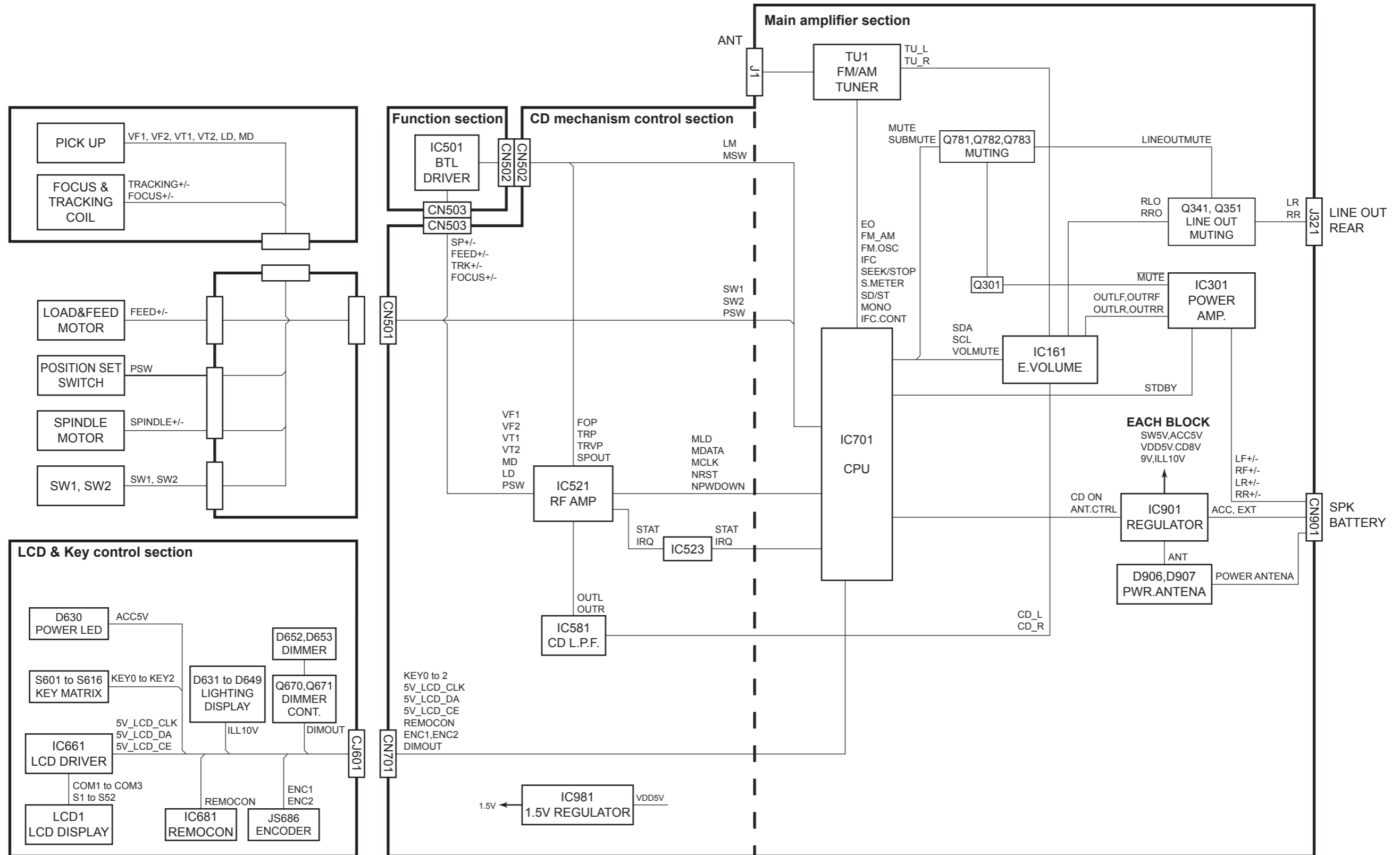


CAUTION Burrs formed during molding may be left over on some parts of the chassis. Therefore, pay attention to such burrs in the case of performing repair of this system.



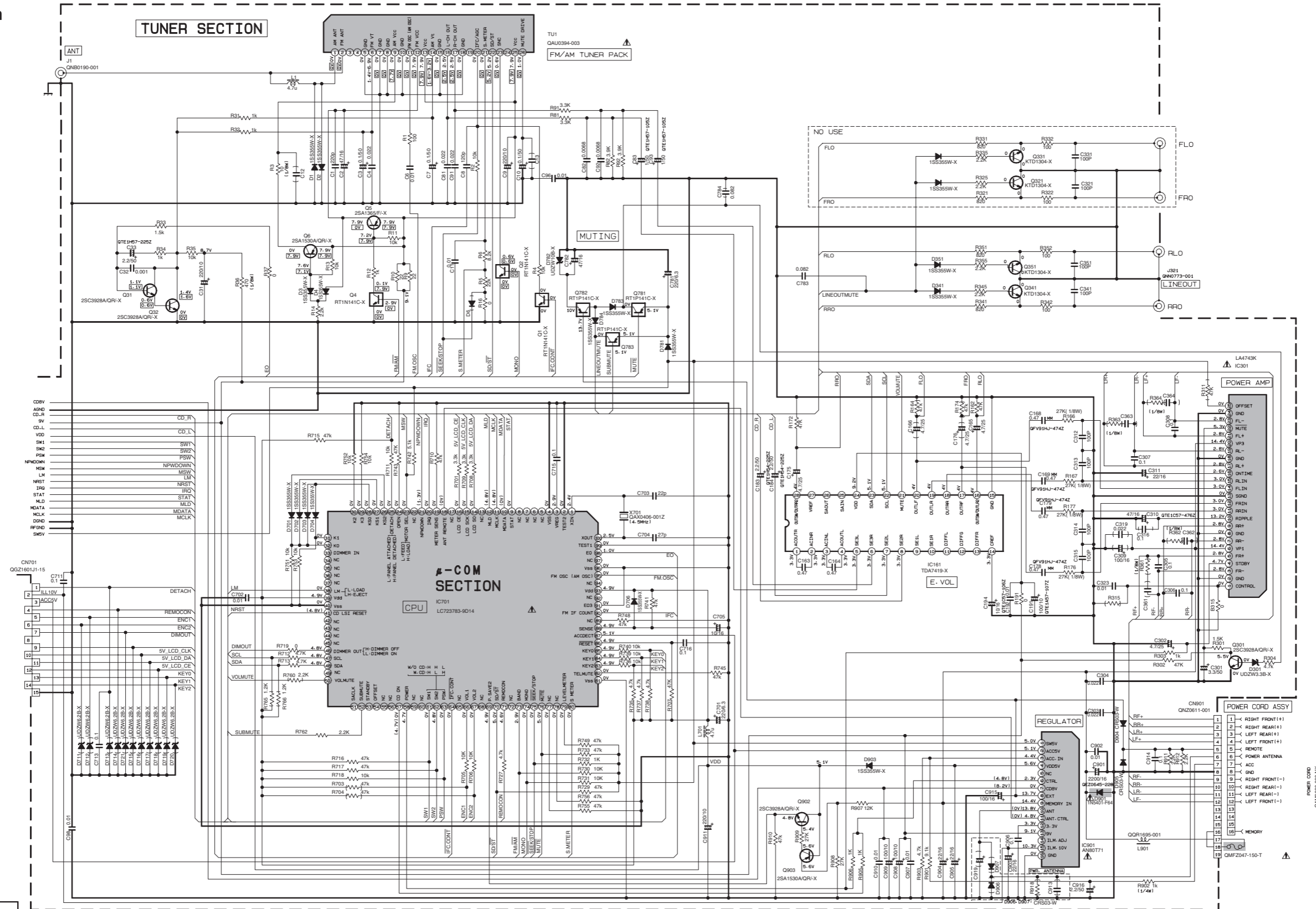
CAUTION Please use enough caution not to see the beam directly or touch it in case of an adjustment or operation check.

Block diagram



Standard schematic diagrams

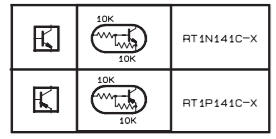
Main section



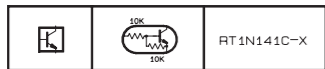
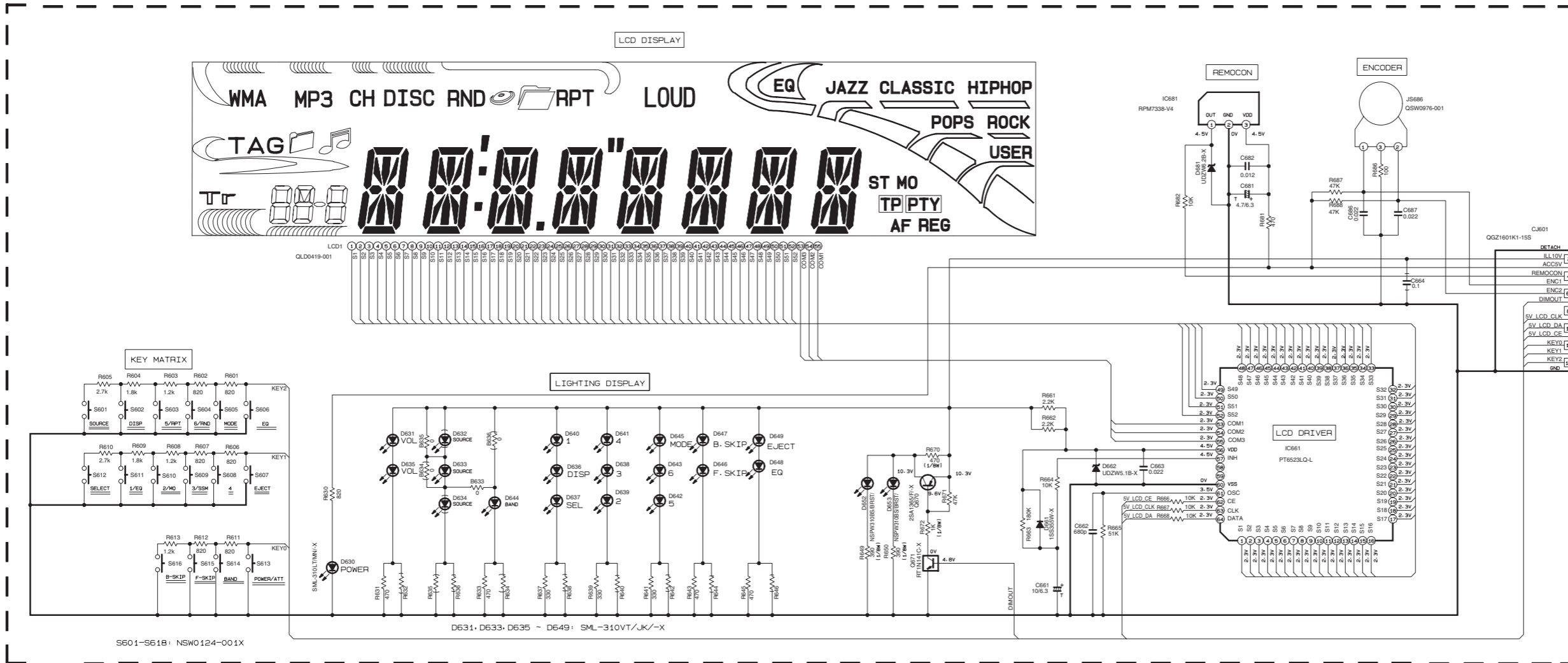
NOTES:

- VOLTAGE ARE DC-MEASURED WITH A DIGITAL VOLTMETER WITHOUT INPUT SIGNAL CONDITION
---FM---AM MODE: () CD MODE
- UNLESS OTHERWISE SPECIFIED:
ALL RESISTOR ARE 1/16W ±5% METAL GLAZE RESISTOR.
ALL CAPACITOR ARE 50V OR 25V CERAMIC CAPACITOR.
ALL RESISTANCE VALUES ARE IN OHM.
ALL CAPACITANCE VALUES ARE IN (UF)(PF).
ALL INDUCTANCE VALUES ARE IN UH
ALL E. CAPACITORS ARE SHOWN IN THE FORM OF CAPACITANCE(UF)/RATED VOLTAGE(V)

⚠ Parts are safety assurance parts. When replacing those parts make sure to use the specified one.

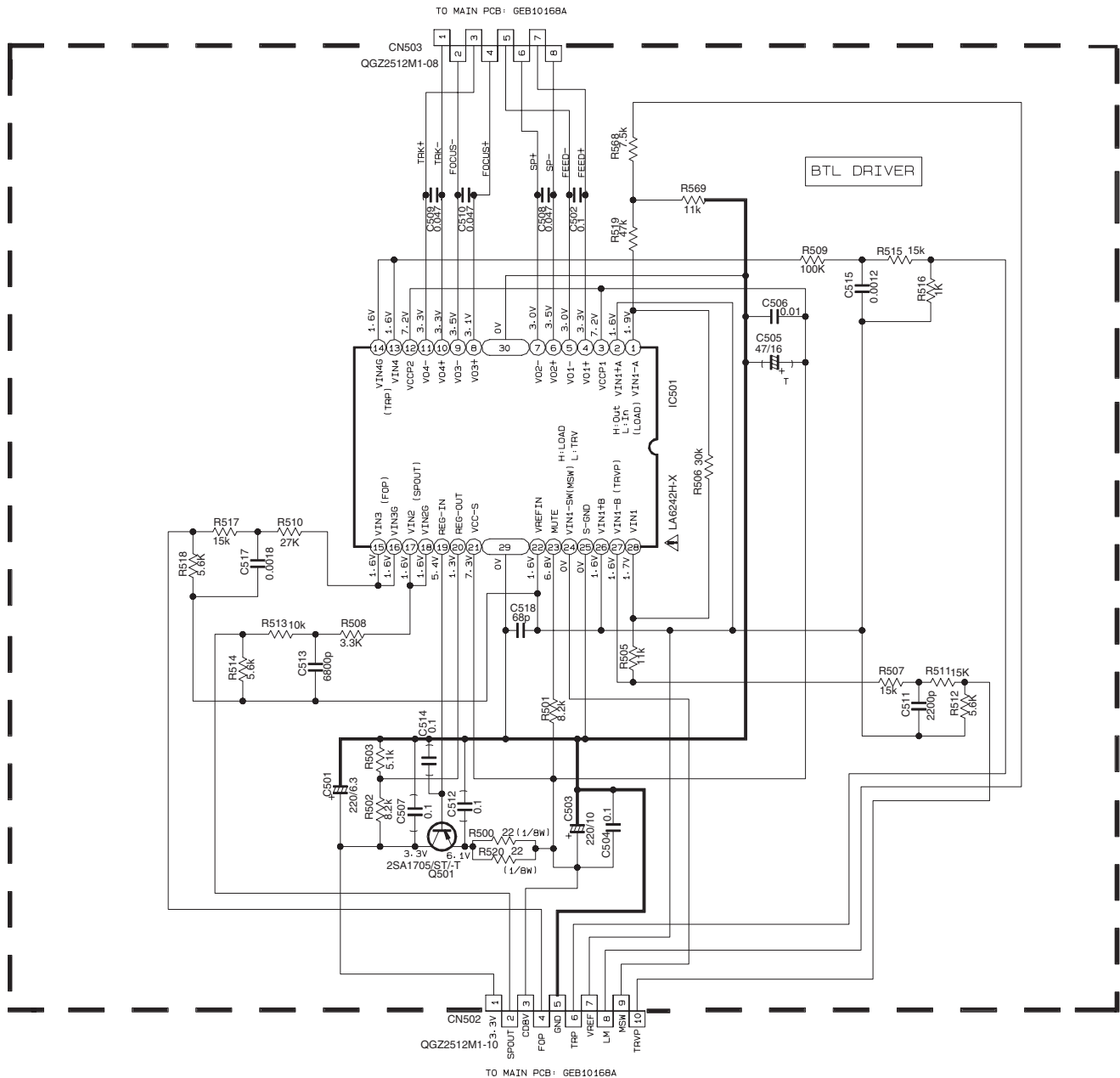


■ LCD and Key control section



- NOTES
1. VOLTAGES ARE DC-MEASURED WITH A DIGITAL VOLT METER WITHOUT INPUT SIGNAL.
 2. UNLESS OTHERWISE SPECIFIED.
ALL RESISTORS ARE 1/16W ±5% METAL GLAZE RESISTOR.
ALL CAPACITORS ARE 50V OR 25V CERAMIC CAPACITOR.
ALL RESISTANCE VALUES ARE IN OHM.
ALL CAPACITANCE VALUES ARE IN uF (PpF)
ALL E-CAPACITORS ARE SHOWN IN THE FORM OF CAPACITANCE(uF)/RATED VOLTAGE(V)
T --- TANTALUM CAPACITOR.
 3. COMPONENTS IN () INDICATE NOT USE.

Function section

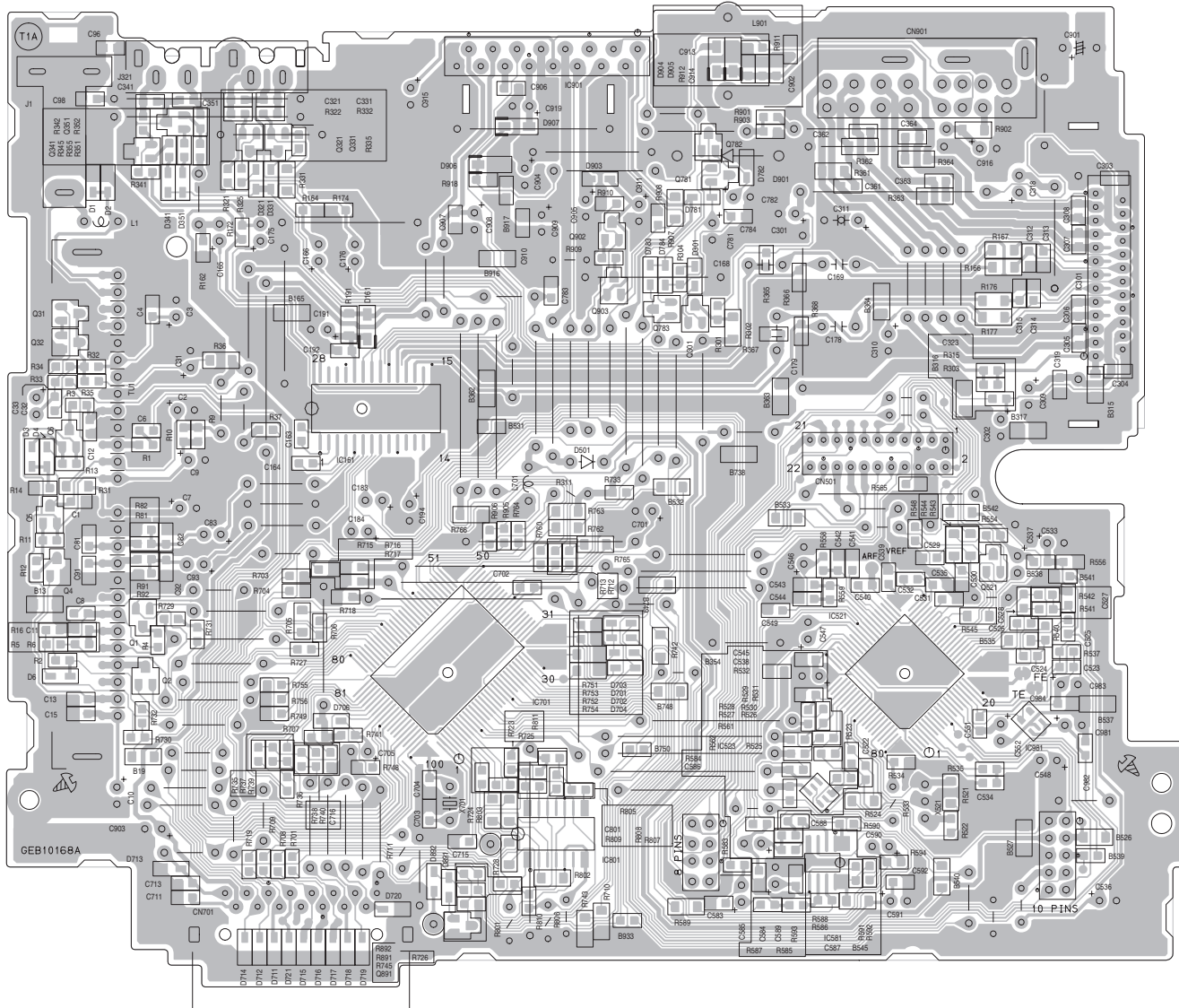


NOTES:

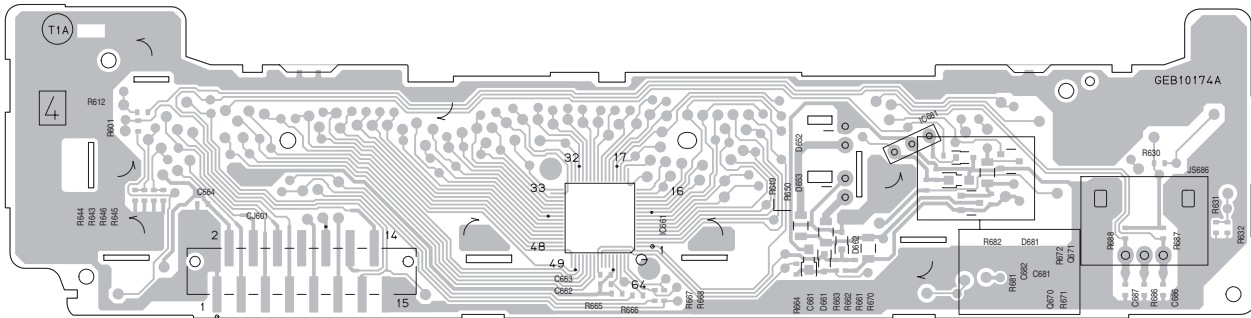
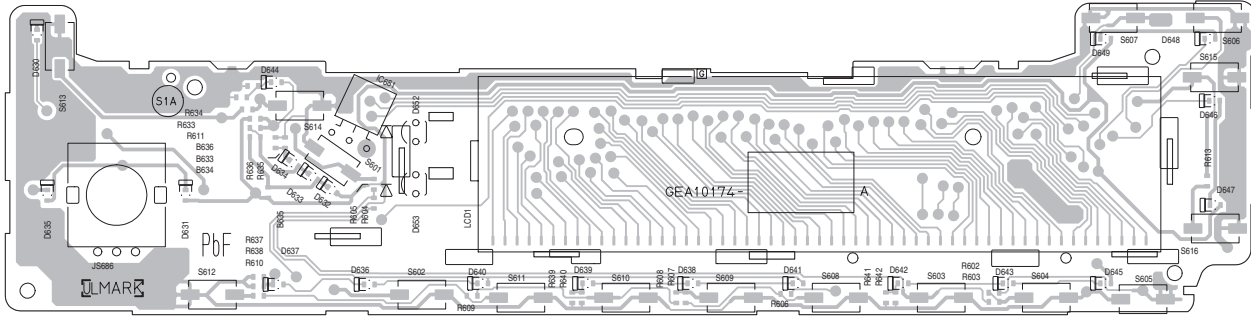
1. VOLTAGE ARE DC-MEASURED WITH A DIGITAL VOLT-METER WITHOUT INPUT SIGNAL CONDITION
--- CD MODE.
2. UNLESS OTHERWISE SPECIFIED.
ALL RESISTOR ARE 1/16W ±5%METAL GLAZE RESISTOR.
ALL CAPACITOR ARE 50V OR 25V CERAMIC CAPACITOR.
ALL RESISTANCE VALUES ARE IN OHM
ALL CAPACITANCE VALUES ARE IN uF(p=pF).
ALL INDUCTANCE VALUES ARE IN uH
ALL E. CAPACITORS ARE SHOWN IN THE FORM OF CAPACITANCE(uF)/RATED VOLTAGE(V)

Printed circuit boards

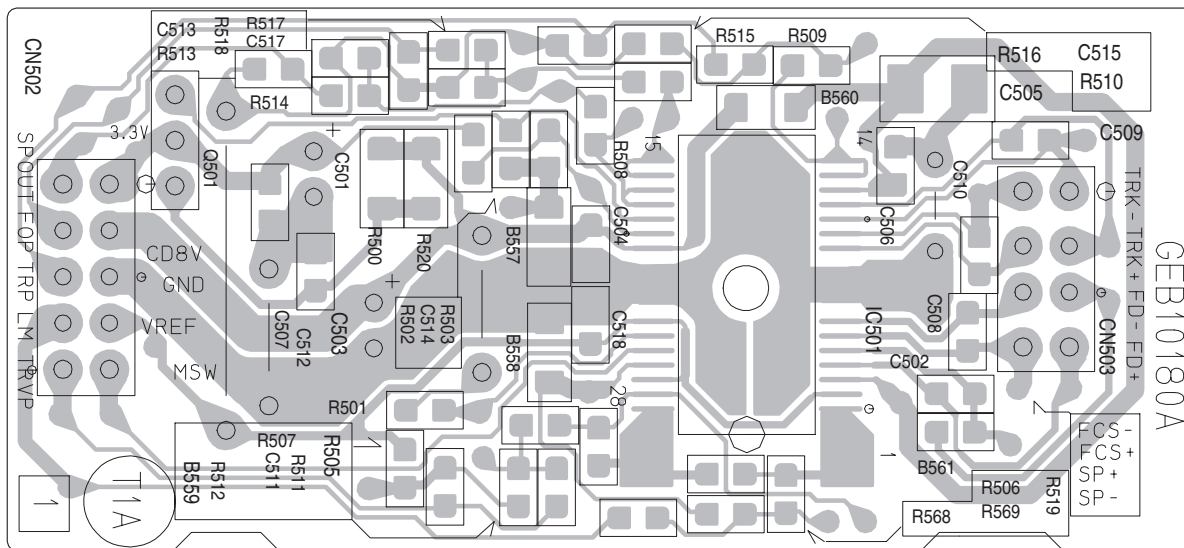
■ Main board Lead free solder used in the board (material : Sn-Ag-Cu, melting point : 219 Centigrade)



■ **Switch board** Lead free solder used in the board (material : Sn-Ag-Cu, melting point : 219 Centigrade)



■ **Function board** Lead free solder used in the board (material : Sn-Ag-Cu, melting point : 219 Centigrade)



JVC

Victor Company of Japan, Limited

Mobile Entertainment Business Group Mobile Entertainment Category 10-1, 1chome, Ohwatari-machi, Maebashi-city, Gumma-ken, 371-8543, Japan

(No.MA266SCH)



Printed in Japan
VPT

PARTS LIST

KD-G279UR

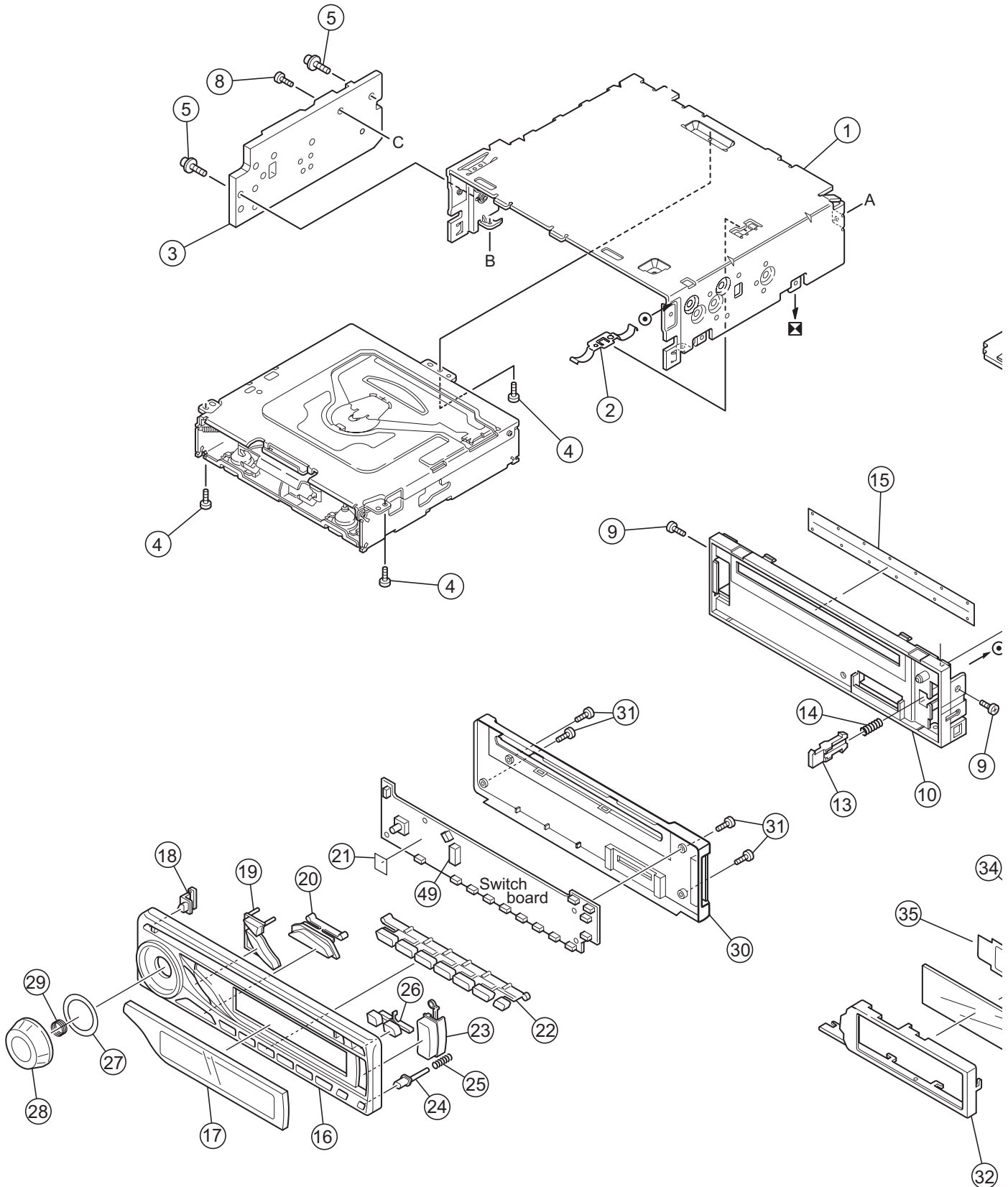
- * All printed circuit boards and its assemblies are not available as service parts.
- * Please refer to the mechanism manual (model TN2007-1003, No.MY005) for the CD mechanism.

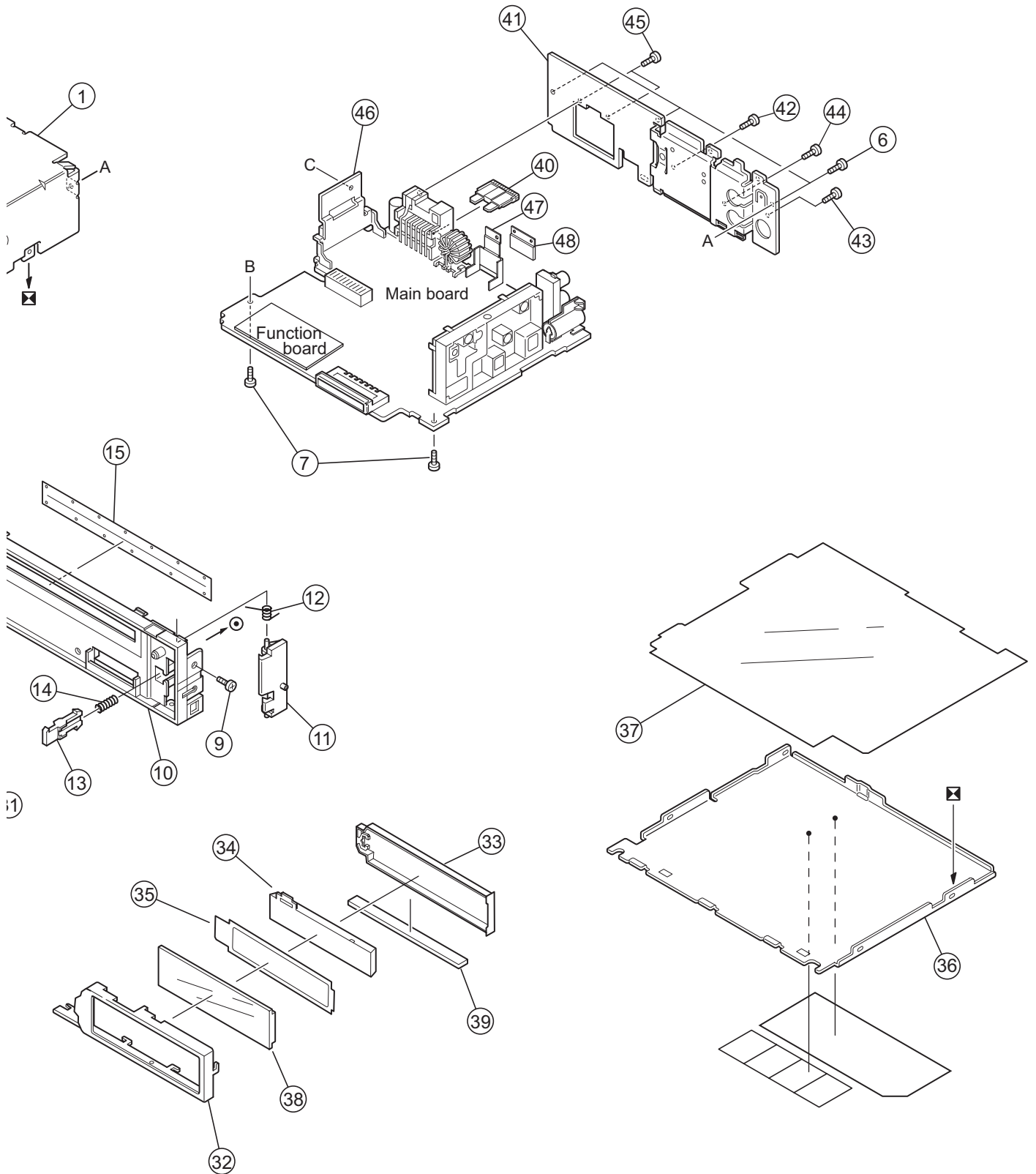
- Contents -

Exploded view of general assembly and parts list (Block No.M1)	3-2
Electrical parts list (Block No.01~03).....	3-5
Packing materials and accessories parts list (Block No.M3)	3-10

Exploded view of general assembly and parts list

Block No. **M 1 M M**





General Assembly

Block No. [M][1][M][M]

△	Symbol No.	Part No.	Part Name	Description	Local
	1	GE10136-001A	TOP CHASSIS		
	2	GE40135-001A	EARTH PLATE		
	3	GE31894-001A	HEAT SINK		
	4	QYSDST2604ZA	TAP SCREW	M2.6 x 4mm(x3)	
	5	GE40235-001A	SCREW	(x2)	
	6	QYSDST2604ZA	TAP SCREW	M2.6 x 4mm(x3)	
	7	GE40235-004A	SCREW	(x2)	
	8	QYSDST2610ZA	TAP SCREW	M2.6 x 10mm	
	9	QYSDST2004ZA	TAP SCREW	M2 x 4mm(x2)	
	10	GE10137-001A	FRONT CHASSIS		
	11	GE31569-002A	LOCK LEVER		
	12	GE40269-001A	TORSION SPRING		
	13	GE31978-001A	RLS KNOB		
	14	GE40202-011A	COMP.SPRING		
	15	GE40294-002A	BLIND		
	16	GE10139-017A	FRONT PANEL		
	17	GE31967-019A	FINDER ASSY		
	18	GE31968-002A	POWER BUTTON		
	19	GE31969-001A	SRC BUTTON		
	20	GE31970-001A	SEL BUTTON		
	21	GE40218-045A	SHEET		
	22	GE20188-001A	PRESET BUTTON		
	23	GE31971-001A	SEARCH BUTTON		
	24	GE31972-001A	DETACH BUTTON		
	25	GE40202-013A	COMP.SPRING		
	26	GE31973-001A	EJECT BUTTON		
	27	GE40323-003A	SHEET		
	28	GE31974-006A	VOL KNOB		
	29	GE40127-003A	SPRING		
	30	GE10140-002A	REAR COVER		
	31	VKZ4777-010	MINI SCREW	(x4)	
	32	GE31975-001A	LCD CASE		
	33	GE31977-001A	LENS CASE		
	34	GE31976-001A	LCD LENS		
	35	GE40297-001A	LIGHTING SHEET		
	36	GE31895-001A	BOTTOM COVER		
	37	GE31984-001A	INSULATOR		
	38	QLD0419-001	LCD MODULE		
	39	QNZ0823-001	LCD CONNECTOR		
△	40	QMFZ047-150-T	FUSE	15A	
	41	GE31571-005A	REAR BRACKET		
	42	QYSDST2606ZA	TAP SCREW	M2.6 x 6mm	
	43	QYSDST2606ZA	TAP SCREW	M2.6 x 6mm	
	44	QYSDSF2606ZA	TAP SCREW	M2.6 x 6mm	
	45	QYSDSF2606ZA	TAP SCREW	M2.6 x 6mm(x2)	
	46	GE40172-004A	IC BRACKET		
	47	GE40103-003A	REG BRACKET		
	48	GE40107-002A	HEAT SINK		
	49	GE30854-001A	LED HOLDER		

Electrical parts list

Main board

Block No. [0][1]

△ Symbol No.	Part No.	Part Name	Description	Local
	IC161	TDA7419-X	IC	
△	IC301	LA4743K	POWER IC	
△	IC521	MN6627945EE	IC	
	IC523	SN74LVC2G07V-X	LOGIC IC	
	IC581	NJM4565E-X	IC	
△	IC701	LC723783-9D14	IC	
△	IC901	AN80T71	REGULATOR IC	
	IC981	NJU7772F15-X	IC	
	Q1	RT1N141C-X	DIGI TRANSISTOR	
	Q2	RT1N141C-X	DIGI TRANSISTOR	
	Q4	RT1N141C-X	DIGI TRANSISTOR	
	Q5	2SA1365F/-X	TRANSISTOR	
	Q6	2SA1530A/QR/-X	TRANSISTOR	
	Q31	2SC3928A/QR/-X	TRANSISTOR	
	Q32	2SC3928A/QR/-X	TRANSISTOR	
	Q301	2SC3928A/QR/-X	TRANSISTOR	
	Q341	KTD1304-X	TRANSISTOR	
	Q351	KTD1304-X	TRANSISTOR	
	Q521	2SA1530A/QR/-X	TRANSISTOR	
	Q781	RT1P141C-X	DIGI TRANSISTOR	
	Q782	RT1P141C-X	DIGI TRANSISTOR	
	Q783	RT1P141C-X	DIGI TRANSISTOR	
	Q902	2SC3928A/QR/-X	TRANSISTOR	
	Q903	2SA1530A/QR/-X	TRANSISTOR	
	D1	1SS355W-X	DIODE C.M	
	D2	1SS355W-X	DIODE C.M	
	D3	1SS355W-X	DIODE C.M	
	D4	1SS355W-X	DIODE C.M	
	D301	UDZW3.3B-X	Z DIODE	
	D341	1SS355W-X	DIODE C.M	
	D351	1SS355W-X	DIODE C.M	
	D501	1A3G-T1	SI DIODE	
	D701	1SS355W-X	DIODE C.M	
	D702	1SS355W-X	DIODE C.M	
	D703	1SS355W-X	DIODE C.M	
	D704	1SS355W-X	DIODE C.M	
	D706	1SS355W-X	DIODE C.M	
	D711	UDZW6.2B-X	Z DIODE	
	D712	UDZW6.2B-X	Z DIODE	
	D713	UDZW6.2B-X	Z DIODE	
	D714	UDZW6.2B-X	Z DIODE	
	D715	UDZW6.2B-X	Z DIODE	
	D716	UDZW6.2B-X	Z DIODE	
	D717	UDZW6.2B-X	Z DIODE	
	D718	UDZW6.2B-X	Z DIODE	
	D719	UDZW6.2B-X	Z DIODE	
	D720	UDZW6.2B-X	Z DIODE	
	D721	UDZW6.2B-X	Z DIODE	
	D781	1SS355W-X	DIODE C.M	
	D782	UDZW10B-X	Z DIODE	
	D783	1SS355W-X	DIODE C.M	
	D784	1SS355W-X	DIODE C.M	
△	D901	1N5401-F64	SI DIODE	
	D903	1SS355W-X	DIODE C.M	
	D904	CRS03-W	SB DIODE	
	D905	CRS03-W	SB DIODE	
	C1	NDC31HJ-221X	C CAPACITOR	220pF 50V J
	C2	QEKJ1CM-476Z	E CAPACITOR	47uF 16V M
	C3	QEKJ1HM-104Z	E CAPACITOR	0.1uF 50V M
	C4	NCB31EK-223X	C CAPACITOR	0.022uF 25V K
	C6	NCB31HK-103X	C CAPACITOR	0.01uF 50V K
	C7	QEKJ1HM-104Z	E CAPACITOR	0.1uF 50V M
	C8	NDC31HJ-121X	C CAPACITOR	120pF 50V J
	C9	QEKJ1AM-227Z	E CAPACITOR	220uF 10V M
	C10	QEKJ1HM-104Z	E CAPACITOR	0.1uF 50V M
	C11	NCB31HK-103X	C CAPACITOR	0.01uF 50V K
	C31	QEKJ1AM-227Z	E CAPACITOR	220uF 10V M
	C32	NCB31HK-102X	C CAPACITOR	1000pF 50V K
	C33	QTE1H57-225Z	E CAPACITOR	2.2uF 50V

△ Symbol No.	Part No.	Part Name	Description	Local
	C81	NCB31EK-223X	C CAPACITOR	0.022uF 25V K
	C82	NCB31HK-682X	C CAPACITOR	6800pF 50V K
	C83	QTE1H57-105Z	E CAPACITOR	1uF 50V
	C91	NCB31EK-223X	C CAPACITOR	0.022uF 25V K
	C92	NCB31HK-682X	C CAPACITOR	6800pF 50V K
	C93	QTE1H57-105Z	E CAPACITOR	1uF 50V
	C96	NCB31HK-103X	C CAPACITOR	0.01uF 50V K
	C98	NCB31HK-103X	C CAPACITOR	0.01uF 50V K
	C163	NCB21CK-474X	C CAPACITOR	0.47uF 16V K
	C164	NCB21CK-474X	C CAPACITOR	0.47uF 16V K
	C165	QEKJ1EM-475Z	E CAPACITOR	4.7uF 25V M
	C166	QEKJ1EM-475Z	E CAPACITOR	4.7uF 25V M
	C168	QFV91HJ-474Z	MF CAPACITOR	0.47uF 50V J
	C169	QFV91HJ-474Z	MF CAPACITOR	0.47uF 50V J
	C175	QEKJ1EM-475Z	E CAPACITOR	4.7uF 25V M
	C176	QEKJ1EM-475Z	E CAPACITOR	4.7uF 25V M
	C178	QFV91HJ-474Z	MF CAPACITOR	0.47uF 50V J
	C179	QFV91HJ-474Z	MF CAPACITOR	0.47uF 50V J
	C183	QTE1H54-225Z	E CAPACITOR	2.2uF 50V
	C184	QTE1H54-225Z	E CAPACITOR	2.2uF 50V
	C191	QTE1A57-107Z	E CAPACITOR	100uF 10V
	C192	NCB31HK-103X	C CAPACITOR	0.01uF 50V K
	C194	QTE1C57-106Z	E CAPACITOR	10uF 16V
	C301	QEKJ1HM-335Z	E CAPACITOR	3.3uF 50V M
	C302	QEKJ1EM-475Z	E CAPACITOR	4.7uF 25V M
	C303	NCB31HK-223X	C CAPACITOR	0.022uF 50V K
	C304	NCB31HK-223X	C CAPACITOR	0.022uF 50V K
	C305	NCB31EK-104X	C CAPACITOR	0.1uF 25V K
	C306	NCB31EK-104X	C CAPACITOR	0.1uF 25V K
	C307	NCB31EK-104X	C CAPACITOR	0.1uF 25V K
	C308	NCB31EK-104X	C CAPACITOR	0.1uF 25V K
	C310	QTE1C57-476Z	E CAPACITOR	47uF 16V
	C311	QEKJ1CM-226Z	E CAPACITOR	22uF 16V M
	C312	NDC31HJ-101X	C CAPACITOR	100pF 50V J
	C313	NDC31HJ-101X	C CAPACITOR	100pF 50V J
	C314	NDC31HJ-101X	C CAPACITOR	100pF 50V J
	C315	NDC31HJ-101X	C CAPACITOR	100pF 50V J
	C323	NCB31HK-103X	C CAPACITOR	0.01uF 50V K
	C341	NDC31HJ-101X	C CAPACITOR	100pF 50V J
	C351	NDC31HJ-101X	C CAPACITOR	100pF 50V J
	C522	NCB31CK-224X	C CAPACITOR	0.22uF 16V K
	C523	NDC31HJ-101X	C CAPACITOR	100pF 50V J
	C524	NDC31HJ-561X	C CAPACITOR	560pF 50V J
	C525	NCB31HK-223X	C CAPACITOR	0.022uF 50V K
	C526	NCB31HK-223X	C CAPACITOR	0.022uF 50V K
	C527	NCB31EK-332X	C CAPACITOR	3300pF 25V K
	C528	NDC31HJ-181X	C CAPACITOR	180pF 50V J
	C529	NCB31HK-822X	C CAPACITOR	8200pF 50V K
	C530	NCB31HK-822X	C CAPACITOR	8200pF 50V K
	C531	NCB31AK-334X	C CAPACITOR	0.33uF 10V K
	C532	NCB31AK-334X	C CAPACITOR	0.33uF 10V K
	C533	QEKJ0JM-476Z	E CAPACITOR	47uF 6.3V M
	C534	NCB31EK-104X	C CAPACITOR	0.1uF 25V K
	C535	NCB31EK-104X	C CAPACITOR	0.1uF 25V K
	C536	QEKJ0JM-476Z	E CAPACITOR	47uF 6.3V M
	C537	QEKJ0JM-476Z	E CAPACITOR	47uF 6.3V M
	C538	QEKJ0JM-476Z	E CAPACITOR	47uF 6.3V M
	C539	NCB31EK-104X	C CAPACITOR	0.1uF 25V K
	C540	NDC31HJ-681X	C CAPACITOR	680pF 50V J
	C541	NCB31EK-153X	C CAPACITOR	0.015uF 25V K
	C542	NCB31EK-104X	C CAPACITOR	0.1uF 25V K
	C543	NCB31HK-102X	C CAPACITOR	1000pF 50V K
	C544	NCB31EK-823X	C CAPACITOR	0.082uF 25V K
	C545	NCB31EK-104X	C CAPACITOR	0.1uF 25V K
	C546	QEKJ0JM-227Z	E CAPACITOR	220uF 6.3V M
	C547	QTE0J57-476Z	E CAPACITOR	47uF 6.3V
	C548	QTE0J57-476Z	E CAPACITOR	47uF 6.3V
	C549	NCB31EK-104X	C CAPACITOR	0.1uF 25V K
	C551	NCB31EK-104X	C CAPACITOR	0.1uF 25V K
	C552	QEKJ0JM-476Z	E CAPACITOR	47uF 6.3V M
	C583	NDC31HJ-821X	C CAPACITOR	820pF 50V J
	C584	NDC31HJ-821X	C CAPACITOR	820pF 50V J
	C585	QTE1E57-475Z	E CAPACITOR	4.7uF 25V
	C586	QTE1E57-475Z	E CAPACITOR	4.7uF 25V
	C587	NDC31HJ-151X	C CAPACITOR	150pF 50V J
	C588	NDC31HJ-151X	C CAPACITOR	150pF 50V J

△ Symbol No.	Part No.	Part Name	Description	Local	△ Symbol No.	Part No.	Part Name	Description	Local
C589	QTE0J57-476Z	E CAPACITOR	47uF 6.3V		R522	NRSA63J-221X	MG RESISTOR	220Ω/1/16W J	
C590	QTE0J57-476Z	E CAPACITOR	47uF 6.3V		R523	NRSA63J-472X	MG RESISTOR	4.7kΩ/1/16W J	
C591	QTE1C57-107Z	E CAPACITOR	100uF 16V		R524	NRS181J-222X	MG RESISTOR	2.2kΩ 1/8W J	
C592	NCB31EK-104X	C CAPACITOR	0.1uF 25V K		R525	NRSA63J-102X	MG RESISTOR	1kΩ 1/16W J	
C701	QEKJ0JM-227Z	E CAPACITOR	220uF 6.3V M		R526	NRSA63J-102X	MG RESISTOR	1kΩ 1/16W J	
C702	NCB31HK-103X	C CAPACITOR	0.01uF 50V K		R527	NRSA63J-222X	MG RESISTOR	2.2kΩ 1/16W J	
C703	NDC31HJ-220X	C CAPACITOR	22pF 50V J		R528	NRSA63J-222X	MG RESISTOR	2.2kΩ 1/16W J	
C704	NDC31HJ-270X	C CAPACITOR	27pF 50V J		R529	NRSA63J-222X	MG RESISTOR	2.2kΩ 1/16W J	
C705	QEKJ1CM-106Z	E CAPACITOR	10uF 16V M		R530	NRSA63J-472X	MG RESISTOR	4.7kΩ 1/16W J	
C711	NCB31EK-104X	C CAPACITOR	0.1uF 25V K		R531	NRSA63J-472X	MG RESISTOR	4.7kΩ 1/16W J	
C713	NCB31EK-104X	C CAPACITOR	0.1uF 25V K		R532	NRSA63J-472X	MG RESISTOR	4.7kΩ 1/16W J	
C715	NCB31EK-104X	C CAPACITOR	0.1uF 25V K		R533	QRE141J-273Y	C RESISTOR	27kΩ 1/4W J	
C716	NCB31EK-104X	C CAPACITOR	0.1uF 25V K		R534	NRSA63J-683X	MG RESISTOR	68kΩ 1/16W J	
C781	QEKJ0JM-227Z	E CAPACITOR	220uF 6.3V M		R535	NRSA63J-103X	MG RESISTOR	10kΩ 1/16W J	
C782	QEKJ1CM-476Z	E CAPACITOR	47uF 16V M		R537	NRSA63J-155X	MG RESISTOR	1.5MΩ 1/16W J	
C783	NCB31EK-823X	C CAPACITOR	0.082uF 25V K		R540	NRSA63J-303X	MG RESISTOR	30kΩ 1/16W J	
C901	QEZ0645-228	E CAPACITOR	2200uF		R541	NRSA63J-393X	MG RESISTOR	39kΩ 1/16W J	
C902	NCB31HK-103X	C CAPACITOR	0.01uF 50V K		R542	NRSA63J-472X	MG RESISTOR	4.7kΩ 1/16W J	
C903	QEKJ1CM-226Z	E CAPACITOR	22uF 16V M		R543	NRS181J-102X	MG RESISTOR	1kΩ 1/8W J	
C904	QEKJ1CM-226Z	E CAPACITOR	22uF 16V M		R544	NRS181J-102X	MG RESISTOR	1kΩ 1/8W J	
C905	QEKJ1CM-226Z	E CAPACITOR	22uF 16V M		R545	NRS181J-332X	MG RESISTOR	3.3kΩ 1/8W J	
C906	NCB31EK-104X	C CAPACITOR	0.1uF 25V K		R548	NRSA63J-332X	MG RESISTOR	3.3kΩ 1/16W J	
C907	NCB31HK-103X	C CAPACITOR	0.01uF 50V K		R554	NRSA63J-4R7X	MG RESISTOR	4.7Ω 1/16W J	
C908	QEKJ1AM-107Z	E CAPACITOR	100uF 10V M		R556	NRSA63J-473X	MG RESISTOR	47kΩ 1/16W J	
C909	QEKJ1AM-107Z	E CAPACITOR	100uF 10V M		R558	NRSA63J-823X	MG RESISTOR	82kΩ 1/16W J	
C910	NCB31HK-103X	C CAPACITOR	0.01uF 50V K		R559	NRSA63J-821X	MG RESISTOR	820Ω 1/16W J	
C911	QEKJ1AM-227Z	E CAPACITOR	220uF 10V M		R561	NRSA63J-102X	MG RESISTOR	1kΩ 1/16W J	
C914	NCB31EK-104X	C CAPACITOR	0.1uF 25V K		R562	NRSA63J-102X	MG RESISTOR	1kΩ 1/16W J	
C915	QEKJ1CM-107Z	E CAPACITOR	100uF 16V M		R565	NRSA63J-151X	MG RESISTOR	150Ω 1/16W J	
C916	QEKJ1HM-225Z	E CAPACITOR	2.2uF 50V M		R583	NRSA63J-153X	MG RESISTOR	15kΩ 1/16W J	
C982	NCB31EK-104X	C CAPACITOR	0.1uF 25V K		R584	NRSA63J-153X	MG RESISTOR	15kΩ 1/16W J	
C983	QEKJ0JM-107Z	E CAPACITOR	100uF 6.3V M		R585	NRSA63J-562X	MG RESISTOR	5.6kΩ 1/16W J	
C984	NCB31EK-104X	C CAPACITOR	0.1uF 25V K		R586	NRSA63J-562X	MG RESISTOR	5.6kΩ 1/16W J	
					R587	NRSA63J-273X	MG RESISTOR	27kΩ 1/16W J	
R1	NRSA63J-101X	MG RESISTOR	100Ω 1/16W J		R588	NRSA63J-273X	MG RESISTOR	27kΩ 1/16W J	
R2	NRSA63J-103X	MG RESISTOR	10kΩ 1/16W J		R589	NRS181J-0R0X	MG RESISTOR	0Ω 1/8W J	
R3	NRSA02J-100X	MG RESISTOR	10Ω 1/10W J		R590	NRSA63J-0R0X	MG RESISTOR	0Ω 1/16W J	
R4	NRSA63J-103X	MG RESISTOR	10kΩ 1/16W J		R591	NRSA63J-223X	MG RESISTOR	22kΩ 1/16W J	
R5	NRSA63J-223X	MG RESISTOR	22kΩ 1/16W J		R592	NRSA63J-223X	MG RESISTOR	22kΩ 1/16W J	
R6	NRSA63J-822X	MG RESISTOR	8.2kΩ 1/16W J		R593	NRSA63J-223X	MG RESISTOR	22kΩ 1/16W J	
R9	NRSA02J-220X	MG RESISTOR	22Ω 1/10W J		R594	NRSA63J-223X	MG RESISTOR	22kΩ 1/16W J	
R10	NRSA02J-220X	MG RESISTOR	22Ω 1/10W J		R701	NRSA63J-332X	MG RESISTOR	3.3kΩ 1/16W J	
R11	NRSA63J-103X	MG RESISTOR	10kΩ 1/16W J		R705	NRS181J-103X	MG RESISTOR	10kΩ 1/8W J	
R12	NRSA63J-102X	MG RESISTOR	1kΩ 1/16W J		R706	NRSA63J-103X	MG RESISTOR	10kΩ 1/16W J	
R13	NRSA63J-103X	MG RESISTOR	10kΩ 1/16W J		R707	NRSA63J-473X	MG RESISTOR	47kΩ 1/16W J	
R14	NRSA63J-222X	MG RESISTOR	2.2kΩ 1/16W J		R708	NRSA63J-332X	MG RESISTOR	3.3kΩ 1/16W J	
R16	NRSA63J-0R0X	MG RESISTOR	0Ω 1/16W J		R709	NRSA63J-332X	MG RESISTOR	3.3kΩ 1/16W J	
R31	NRS181J-102X	MG RESISTOR	1kΩ 1/8W J		R710	NRS181J-473X	MG RESISTOR	47kΩ 1/8W J	
R32	NRSA63J-102X	MG RESISTOR	1kΩ 1/16W J		R711	QRE141J-103Y	C RESISTOR	10kΩ 1/4W J	
R33	NRSA63J-152X	MG RESISTOR	1.5kΩ 1/16W J		R712	NRSA02J-472X	MG RESISTOR	4.7kΩ 1/10W J	
R34	NRSA63J-102X	MG RESISTOR	1kΩ 1/16W J		R713	NRSA02J-472X	MG RESISTOR	4.7kΩ 1/10W J	
R35	NRSA63J-103X	MG RESISTOR	10kΩ 1/16W J		R715	NRSA63J-473X	MG RESISTOR	47kΩ 1/16W J	
R36	NRS181J-471X	MG RESISTOR	470Ω 1/8W J		R716	NRSA63J-473X	MG RESISTOR	47kΩ 1/16W J	
R37	NRSA63J-0R0X	MG RESISTOR	0Ω 1/16W J		R717	NRSA63J-473X	MG RESISTOR	47kΩ 1/16W J	
R81	NRSA63J-332X	MG RESISTOR	3.3kΩ 1/16W J		R718	NRSA63J-103X	MG RESISTOR	10kΩ 1/16W J	
R82	NRSA63J-392X	MG RESISTOR	3.9kΩ 1/16W J		R719	NRSA63J-0R0X	MG RESISTOR	0Ω 1/16W J	
R91	NRSA63J-332X	MG RESISTOR	3.3kΩ 1/16W J		R727	NRSA63J-472X	MG RESISTOR	4.7kΩ 1/16W J	
R92	NRSA63J-392X	MG RESISTOR	3.9kΩ 1/16W J		R729	NRSA63J-473X	MG RESISTOR	47kΩ 1/16W J	
R162	NRSA63J-473X	MG RESISTOR	47kΩ 1/16W J		R730	NRSA63J-103X	MG RESISTOR	10kΩ 1/16W J	
R164	NRSA63J-473X	MG RESISTOR	47kΩ 1/16W J		R731	NRSA63J-103X	MG RESISTOR	10kΩ 1/16W J	
R166	NRS181J-273X	MG RESISTOR	27kΩ 1/8W J		R732	NRSA63J-102X	MG RESISTOR	1kΩ 1/16W J	
R167	NRS181J-273X	MG RESISTOR	27kΩ 1/8W J		R733	NRSA63J-473X	MG RESISTOR	47kΩ 1/16W J	
R172	NRSA63J-473X	MG RESISTOR	47kΩ 1/16W J		R735	NRSA63J-472X	MG RESISTOR	4.7kΩ 1/16W J	
R174	NRSA63J-473X	MG RESISTOR	47kΩ 1/16W J		R736	NRSA63J-103X	MG RESISTOR	10kΩ 1/16W J	
R176	NRS181J-273X	MG RESISTOR	27kΩ 1/8W J		R737	NRSA63J-472X	MG RESISTOR	4.7kΩ 1/16W J	
R177	NRS181J-273X	MG RESISTOR	27kΩ 1/8W J		R738	NRSA63J-472X	MG RESISTOR	4.7kΩ 1/16W J	
R191	NRS181J-0R0X	MG RESISTOR	0Ω 1/8W J		R739	NRSA63J-103X	MG RESISTOR	10kΩ 1/16W J	
R301	NRSA63J-152X	MG RESISTOR	1.5kΩ 1/16W J		R740	NRSA63J-103X	MG RESISTOR	10kΩ 1/16W J	
R302	NRS181J-473X	MG RESISTOR	47kΩ 1/8W J		R741	NRSA63J-473X	MG RESISTOR	47kΩ 1/16W J	
R303	NRSA63J-102X	MG RESISTOR	1kΩ 1/16W J		R742	NRS181J-512X	MG RESISTOR	5.1kΩ 1/8W J	
R304	NRSA63J-472X	MG RESISTOR	4.7kΩ 1/16W J		R743	NRS181J-473X	MG RESISTOR	47kΩ 1/8W J	
R341	NRSA63J-821X	MG RESISTOR	820Ω 1/16W J		R745	NRSA63J-473X	MG RESISTOR	47kΩ 1/16W J	
R342	NRSA63J-101X	MG RESISTOR	100Ω 1/16W J		R748	NRSA63J-473X	MG RESISTOR	47kΩ 1/16W J	
R345	NRSA63J-222X	MG RESISTOR	2.2kΩ 1/16W J		R749	NRSA63J-473X	MG RESISTOR	47kΩ 1/16W J	
R351	NRSA63J-821X	MG RESISTOR	820Ω 1/16W J		R751	NRSA63J-103X	MG RESISTOR	10kΩ 1/16W J	
R352	NRSA63J-101X	MG RESISTOR	100Ω 1/16W J		R752	NRS181J-103X	MG RESISTOR	10kΩ 1/8W J	
R355	NRSA63J-222X	MG RESISTOR	2.2kΩ 1/16W J		R753	NRSA63J-103X	MG RESISTOR	10kΩ 1/16W J	
R521	NRS181J-105X	MG RESISTOR	1MΩ 1/8W J		R754	NRS181J-103X	MG RESISTOR	10kΩ 1/8W J	

△ Symbol No.	Part No.	Part Name	Description	Local	△ Symbol No.	Part No.	Part Name	Description	Local
R755	NRSA63J-473X	MG RESISTOR	47kΩ 1/16W J		R604	NRSA63J-182X	MG RESISTOR	1.8kΩ 1/16W J	
R756	NRSA63J-473X	MG RESISTOR	47kΩ 1/16W J		R605	NRSA63J-272X	MG RESISTOR	2.7kΩ 1/16W J	
R762	NRS181J-222X	MG RESISTOR	2.2kΩ 1/8W J		R606	NRSA63J-821X	MG RESISTOR	820Ω 1/16W J	
R901	NRSA63J-912X	MG RESISTOR	9.1kΩ 1/16W J		R607	NRSA63J-821X	MG RESISTOR	820Ω 1/16W J	
R902	NRS181J-102X	MG RESISTOR	1kΩ 1/8W J		R608	NRSA63J-122X	MG RESISTOR	1.2kΩ 1/16W J	
R903	NRSA63J-472X	MG RESISTOR	4.7kΩ 1/16W J		R609	NRSA63J-182X	MG RESISTOR	1.8kΩ 1/16W J	
R905	NRSA63J-102X	MG RESISTOR	1kΩ 1/16W J		R610	NRSA63J-272X	MG RESISTOR	2.7kΩ 1/16W J	
R906	NRSA63J-102X	MG RESISTOR	1kΩ 1/16W J		R611	NRSA63J-821X	MG RESISTOR	820Ω 1/16W J	
R907	NRS181J-123X	MG RESISTOR	12kΩ 1/8W J		R612	NRSA63J-821X	MG RESISTOR	820Ω 1/16W J	
R908	NRSA63J-273X	MG RESISTOR	27kΩ 1/16W J		R613	NRSA63J-122X	MG RESISTOR	1.2kΩ 1/16W J	
R909	NRSA63J-273X	MG RESISTOR	27kΩ 1/16W J		R630	NRSA63J-821X	MG RESISTOR	820Ω 1/16W J	
R910	NRSA63J-473X	MG RESISTOR	47kΩ 1/16W J		R631	NRSA63J-471X	MG RESISTOR	470Ω 1/16W J	
R911	NRSA02J-222X	MG RESISTOR	2.2kΩ 1/10W J		R633	NRSA63J-471X	MG RESISTOR	470Ω 1/16W J	
R912	NRSA02J-222X	MG RESISTOR	2.2kΩ 1/10W J		R637	NRSA63J-331X	MG RESISTOR	330Ω 1/16W J	
L1	QQL244J-4R7Z	COIL	4.7uH J		R639	NRSA63J-331X	MG RESISTOR	330Ω 1/16W J	
L701	QQL244K-4R7Z	COIL	4.7uH K		R641	NRSA63J-331X	MG RESISTOR	330Ω 1/16W J	
L901	QQR1695-001	CHOKE COIL			R643	NRSA63J-471X	MG RESISTOR	470Ω 1/16W J	
CN501	QGB2027M4-22S	CONNECTOR	B-B (1-22)		R645	NRSA63J-471X	MG RESISTOR	470Ω 1/16W J	
CN701	QGZ1601J1-15	CONNECTOR	(1-15)		R649	NRS181J-391X	MG RESISTOR	390Ω 1/8W J	
CN901	QNZ0611-001	16P CONNECTOR			R650	NRS181J-391X	MG RESISTOR	390Ω 1/8W J	
J1	QNB0190-001	ANTENNA JACK			R661	NRSA63J-222X	MG RESISTOR	2.2kΩ 1/16W J	
J321	QNN0773-001	PIN JACK			R662	NRSA63J-222X	MG RESISTOR	2.2kΩ 1/16W J	
TU1	QAU0394-003	TUNER PACK			R663	NRSA63J-184X	MG RESISTOR	180kΩ 1/16W J	
X521	QAX0714-001Z	C RESONATOR	16.000MHz		R664	NRSA63J-103X	MG RESISTOR	10kΩ 1/16W J	
X701	QAX0406-001Z	CRYSTAL	4.500MHz		R665	NRSA63J-513X	MG RESISTOR	51kΩ 1/16W J	
					R666	NRSA63J-103X	MG RESISTOR	10kΩ 1/16W J	
					R667	NRSA63J-103X	MG RESISTOR	10kΩ 1/16W J	
					R668	NRSA63J-103X	MG RESISTOR	10kΩ 1/16W J	
					R670	NRS181J-471X	MG RESISTOR	470Ω 1/8W J	
					R671	NRSA63J-473X	MG RESISTOR	47kΩ 1/16W J	
					R672	NRS181J-102X	MG RESISTOR	1kΩ 1/8W J	
					R681	NRSA63J-471X	MG RESISTOR	470Ω 1/16W J	
					R682	NRSA63J-103X	MG RESISTOR	10kΩ 1/16W J	
					R686	NRSA63J-101X	MG RESISTOR	100Ω 1/16W J	
					R687	NRSA63J-473X	MG RESISTOR	47kΩ 1/16W J	
					R688	NRSA63J-473X	MG RESISTOR	47kΩ 1/16W J	

Switch board

Block No. [0][2]

△ Symbol No.	Part No.	Part Name	Description	Local
IC661	PT6523LQ-L	LCD DRIVER		
IC681	RPM7338-V4	RM.RECEIVER		
Q670	2SA1365/F/-X	TRANSISTOR		
Q671	RT1N141C-X	DIGI TRANSISTOR		
D630	SML-310LT/MN/-X	LED		
D631	SML-310VT/JK/-X	LED		
D633	SML-310VT/JK/-X	LED		
D635	SML-310VT/JK/-X	LED		
D636	SML-310VT/JK/-X	LED		
D637	SML-310VT/JK/-X	LED		
D638	SML-310VT/JK/-X	LED		
D639	SML-310VT/JK/-X	LED		
D640	SML-310VT/JK/-X	LED		
D641	SML-310VT/JK/-X	LED		
D642	SML-310VT/JK/-X	LED		
D643	SML-310VT/JK/-X	LED		
D644	SML-310VT/JK/-X	LED		
D645	SML-310VT/JK/-X	LED		
D646	SML-310VT/JK/-X	LED		
D647	SML-310VT/JK/-X	LED		
D648	SML-310VT/JK/-X	LED		
D649	SML-310VT/JK/-X	LED		
D652	NSPW310BS/BRST/	LED		
D653	NSPW310BS/BRST/	LED		
D661	1SS355W-X	DIODE C.M		
D662	UDZW5.1B-X	SB DIODE		
D681	UDZW6.2B-X	Z DIODE		
C661	NBE20JM-106X	TA E CAPACITOR	10uF 6.3V M	
C662	NDC31HJ-681X	C CAPACITOR	680pF 50V J	
C663	NCB31HK-223X	C CAPACITOR	0.022uF 50V K	
C681	NBE20JM-475X	TA E CAPACITOR	4.7uF 6.3V M	
C682	NCB31HK-123X	C CAPACITOR	0.012uF 50V K	
C686	NCB31HK-223X	C CAPACITOR	0.022uF 50V K	
C687	NCB31HK-223X	C CAPACITOR	0.022uF 50V K	
R601	NRSA63J-821X	MG RESISTOR	820Ω 1/16W J	
R602	NRSA63J-821X	MG RESISTOR	820Ω 1/16W J	
R603	NRSA63J-122X	MG RESISTOR	1.2kΩ 1/16W J	

Function board

Block No. [0][3]

△ Symbol No.	Part No.	Part Name	Description	Local
IC501	LA6242H-X	IC		
Q501	2SA1705/ST/-T	TRANSISTOR		
C501	QEKJ0JM-227Z	E CAPACITOR	220uF 6.3V M	
C503	QEKJ1AM-227Z	E CAPACITOR	220uF 10V M	
C504	NCB31EK-104X	C CAPACITOR	0.1uF 25V K	
C506	NCB31HK-103X	C CAPACITOR	0.01uF 50V K	
C511	NCB31HK-222X	C CAPACITOR	2200pF 50V K	
C513	NCB31HK-682X	C CAPACITOR	6800pF 50V K	
C515	NCB31HK-122X	C CAPACITOR	1200pF 50V K	
C517	NCB31HK-182X	C CAPACITOR	1800pF 50V K	
C518	NDC31HJ-680X	C CAPACITOR	68pF 50V J	

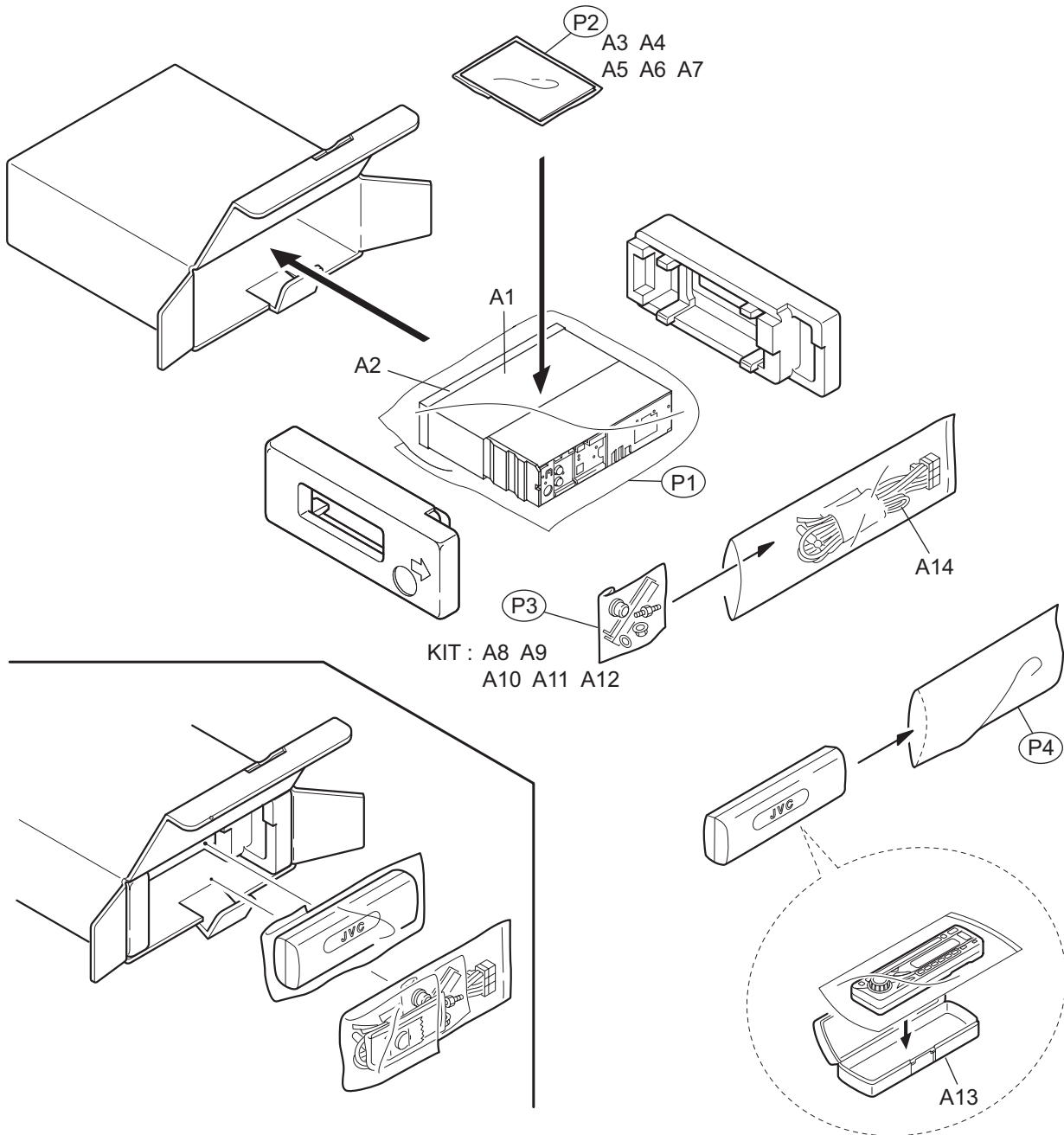
Symbol No.	Part No.	Part Name	Description	Local
R500	NRS181J-220X	MG RESISTOR	22Ω 1/8W J	
R501	NRSA63J-822X	MG RESISTOR	8.2kΩ 1/16W J	
R502	NRSA63J-822X	MG RESISTOR	8.2kΩ 1/16W J	
R503	NRSA63J-512X	MG RESISTOR	5.1kΩ 1/16W J	
R505	NRSA63J-113X	MG RESISTOR	11kΩ 1/16W J	
R506	NRSA63J-303X	MG RESISTOR	30kΩ 1/16W J	
R507	NRSA63J-153X	MG RESISTOR	15kΩ 1/16W J	
R508	NRSA63J-332X	MG RESISTOR	3.3kΩ 1/16W J	
R509	NRSA63J-104X	MG RESISTOR	100kΩ 1/16W J	
R510	NRSA63J-273X	MG RESISTOR	27kΩ 1/16W J	
R511	NRSA63J-153X	MG RESISTOR	15kΩ 1/16W J	
R512	NRSA63J-562X	MG RESISTOR	5.6kΩ 1/16W J	
R513	NRSA63J-103X	MG RESISTOR	10kΩ 1/16W J	
R514	NRSA63J-562X	MG RESISTOR	5.6kΩ 1/16W J	
R515	NRSA63J-153X	MG RESISTOR	15kΩ 1/16W J	
R516	NRSA63J-102X	MG RESISTOR	1kΩ 1/16W J	
R517	NRSA63J-153X	MG RESISTOR	15kΩ 1/16W J	
R518	NRSA63J-562X	MG RESISTOR	5.6kΩ 1/16W J	
R519	NRSA63J-473X	MG RESISTOR	47kΩ 1/16W J	
R520	NRS181J-220X	MG RESISTOR	22Ω 1/8W J	
R568	NRSA63J-752X	MG RESISTOR	7.5kΩ 1/16W J	
R569	NRSA63J-113X	MG RESISTOR	11kΩ 1/16W J	
CN502	QGZ2512M1-10	CONNECTOR	(1-10)	
CN503	QGZ2512M1-08	CONNECTOR	(1-8)	

<MEMO>

Packing materials and accessories parts list

Block No. M 3 M M

No additional / supplemental order of WARRANTY CARDS are available.



Packing and Accessories

Block No. [M][3][M][M]

△ Symbol No.	Part No.	Part Name	Description	Local
A 1	GE20137-003A	MOUNTING SLEEVE		
A 2	GE20135-007A	TRIM PLATE		
A 3	-----	INSTALL MANUAL		
A 4	-----	INSTALL MANUAL		
A 5	-----	TROUBLE SHOOTIN		
A 6	-----	WARRANTY CARD		
A 7	-----	REGIS. CARD		
A 8	VKZ4027-202	PLUG NUT		
A 9	VKH4871-003	MOUNT BOLT		
A 10	VKZ4328-003	LOCK NUT		
A 11	QYWWS53A008ZA	WASHER	0mm/5.3mm x	
A 12	GE40130-002A	HOOK	(x2)	
A 13	FSJB3002-00E	HARD CASE		
A 14	QAM0089-002	ISO CABLE		
KIT	SRW-385U	SCREW KIT		A8 A9 A10 A11 A12
P 1	-----	POLY BAG		
P 2	-----	POLY BAG		
P 3	-----	POLY BAG		
P 4	-----	POLY BAG		